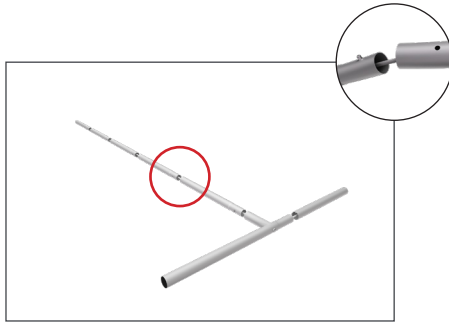


Set Up Instructions

BRST-STRAIGHT BANNER STAND

Step 1: Remove the aluminum pipes out of case and assemble the center uni-pole.



Step 2: If you have shelves or brochure holder make sure that you attach the support socket on the center uni-pole.



Step 3: Fit the uni-pole into the base by sliding it on.



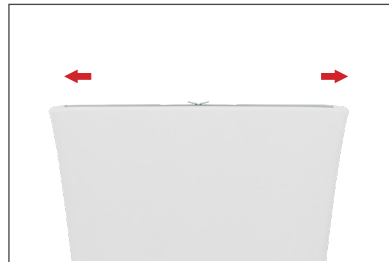
Step 4: Lift the fabric print to the top, tilting the stand towards you will make it easy.



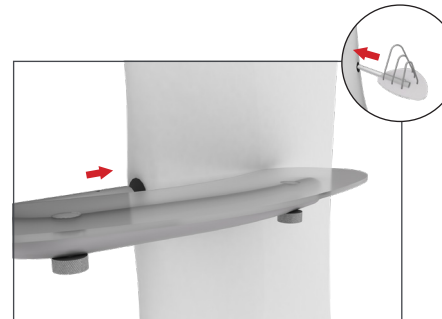
Step 5: Stretch the fabric over the sides without putting lots of tension over the zipper.



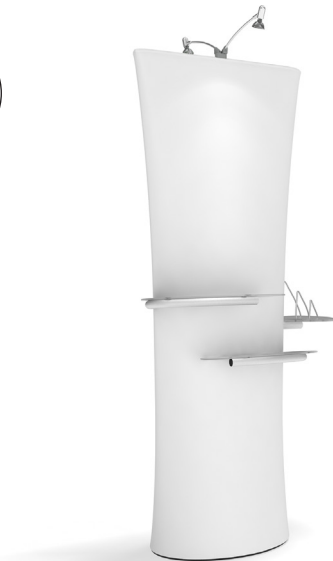
Step 6: Zip up the print on both sides to meet in the center. **Note:** On straight models make profile shorter before lifting up the fabric, pull the frame out before you zip it to center.



Step 7: If using an add-on shelf or brochure holder, place them through the open slits in the print to fit onto support sockets.



Step 8: Complete.



LIGHTS: (OPTIONAL) Place the base of the light fitting in the hole in the middle of the profile. Place both lights on fitting. Run the electric cords inside the print and out the bottom of base.