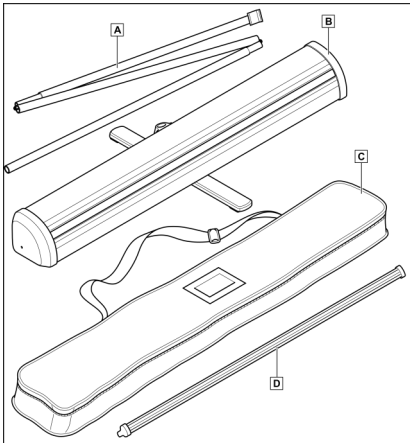
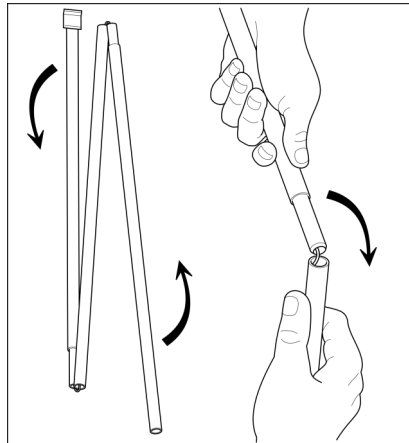


GREENWICH ROLLER BANNER

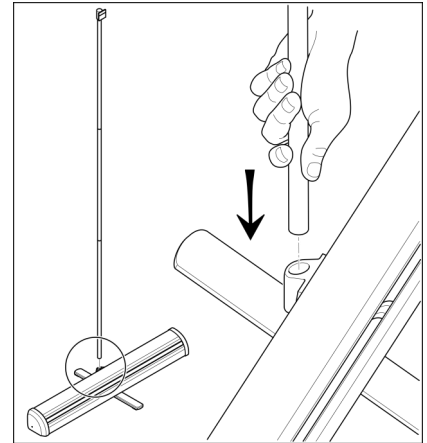
Assembly Instructions



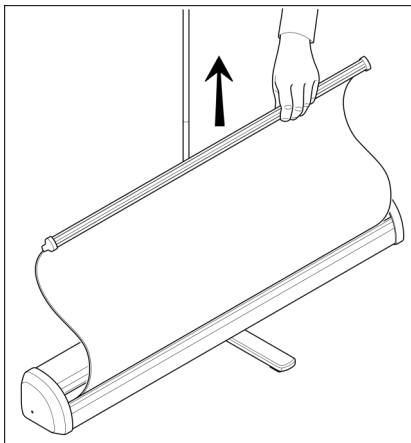
1) Product Contents: **A-** Bungee Pole, **B-** Roller Banner, **C-** Bag, **D-** Top Rail.



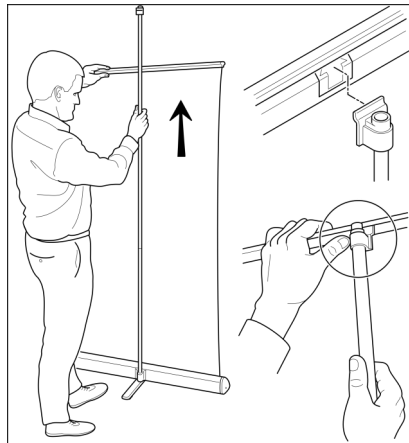
2) Construct the poles



3) Insert the pole into the base unit hole



4) Extend the graphic banner



5) Insert the top of the bungee pole into the top rail