

TELESCOPIC RECTANGULAR FLAG



Sizes Available

4000mm (H)

5000mm (H)

Suitable Media

115gsm Flagknit (Single or Double sided)

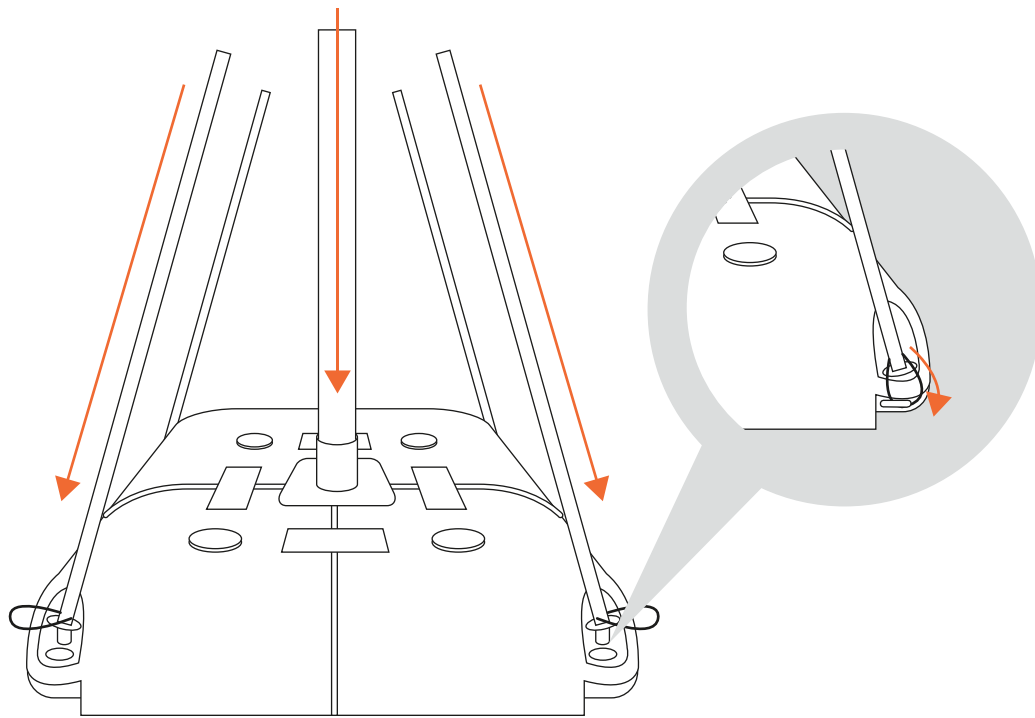
115gsm Aero Mesh

ASSEMBLY INSTRUCTIONS

Remove all products from packaging

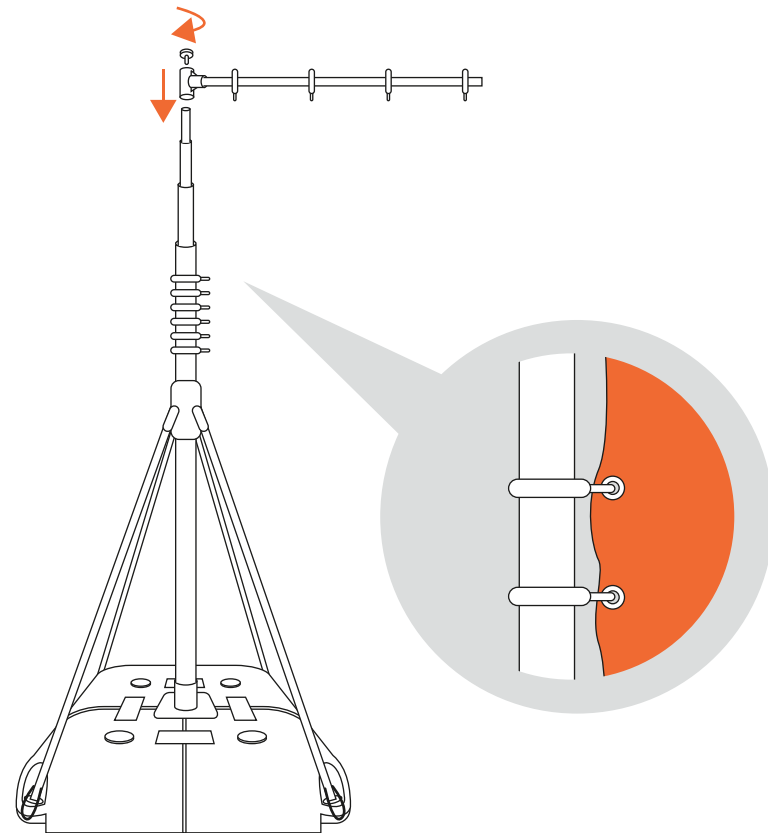
1

Lay base on floor and attach vertical pole and supports. Attached lines to secure support poles (fig 1.1)



2

Attach horizontal bar securing in place with screw provided. Then attach hooks to graphic eyelets



ASSEMBLY INSTRUCTIONS CONTINUED

3

Extend vertical pole ensuring spring clips secure in place. Then fill base with water

