

MAGNETIC POP UP STRAIGHT



Sizes Available

Sizes available : 3x2 3x3 3x4 3x5

Individual Straight Panel: H: 222.5cm x W: 73.3cm

3 x 2 - Footprint: H: 224 x W: 197 x D: 30.5cm

3 x 3 - Footprint: H: 224 x W: 270 x D: 30.5cm

3 x 4 - Footprint: H: 224 x W: 344 x D: 30.5cm

3 x 5 - Footprint: H: 224 x W: 416 x D: 30.5cm

Recommended Media

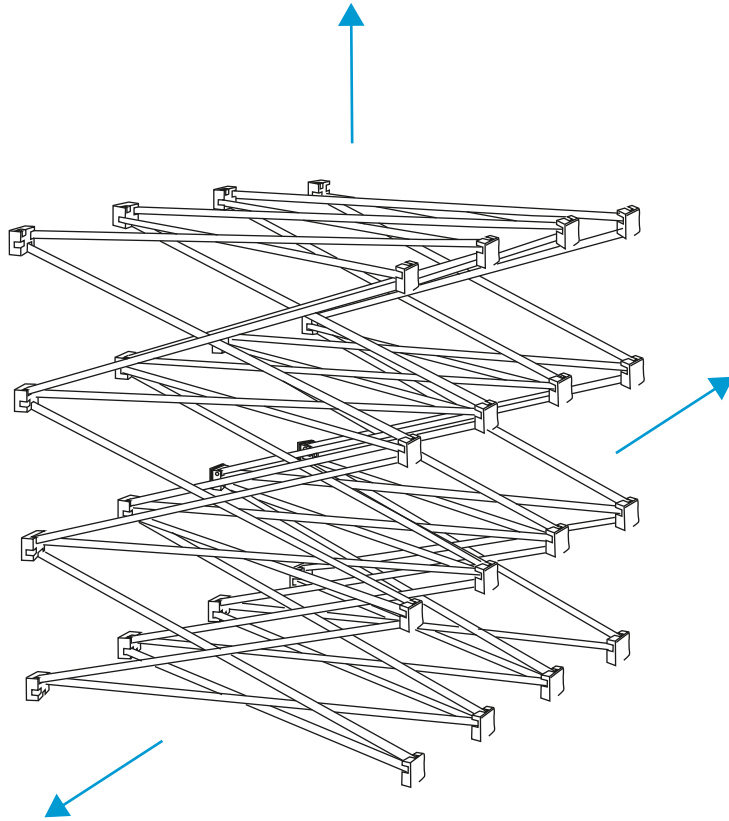
400 - 500 micron calandered PVC

ASSEMBLY INSTRUCTIONS

Remove frame from carry case.

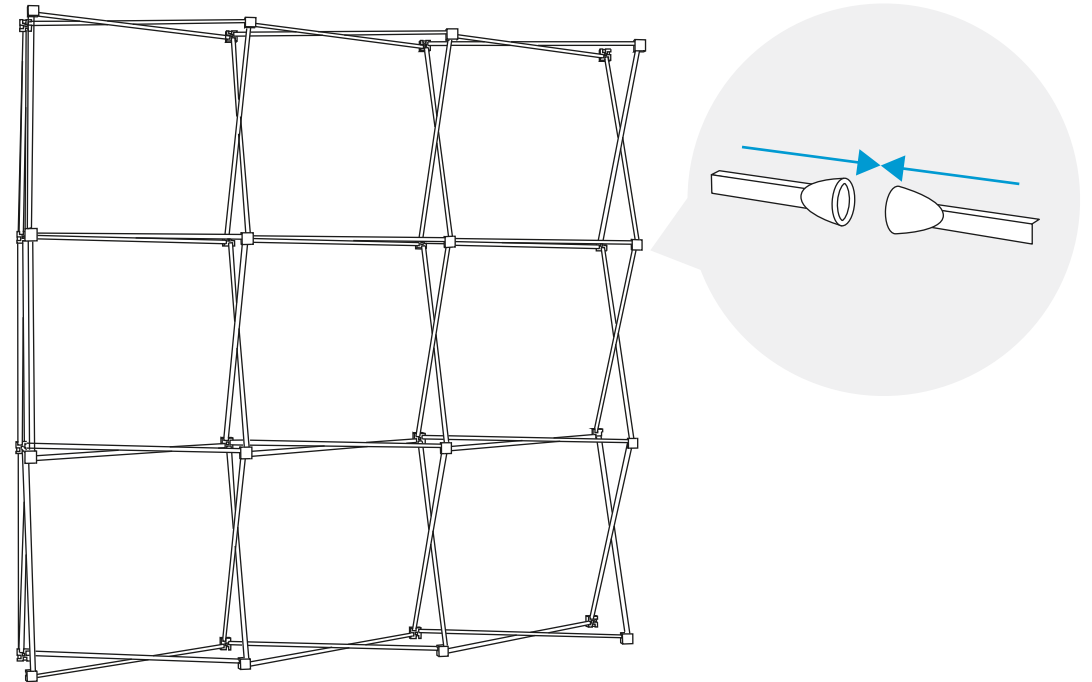
1

Expand Frame, ensuring that the round, adjustable feet are on the bottom of the frame..



2

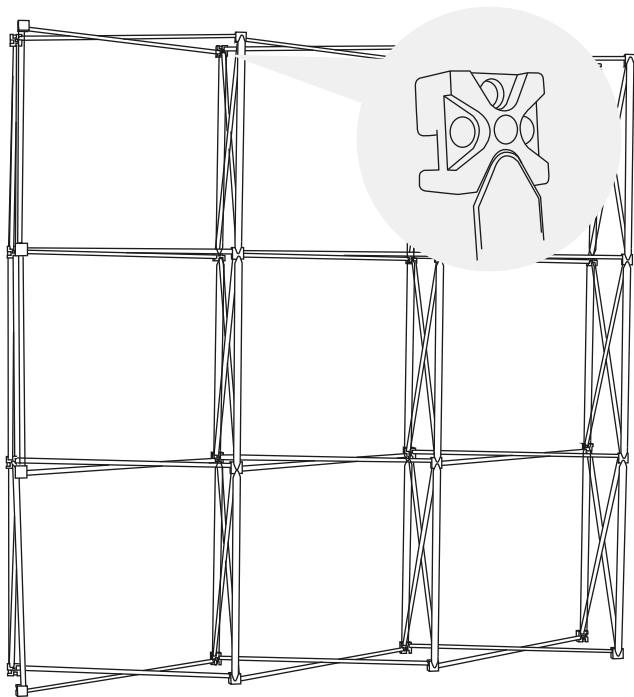
Expand the frame until the magnetic locking arms connect together and then apply the individual magnetic bars to the magnetic hubs on the concave side.



ASSEMBLY INSTRUCTIONS CONTINUED

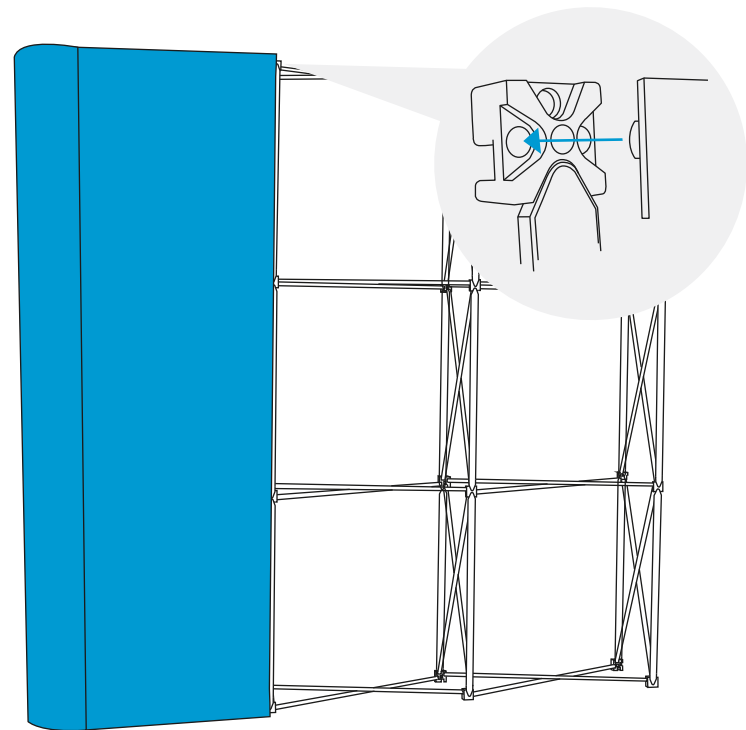
3

Attach the magnetic bars onto the magnetic nodes as shown in the circle diagram below.



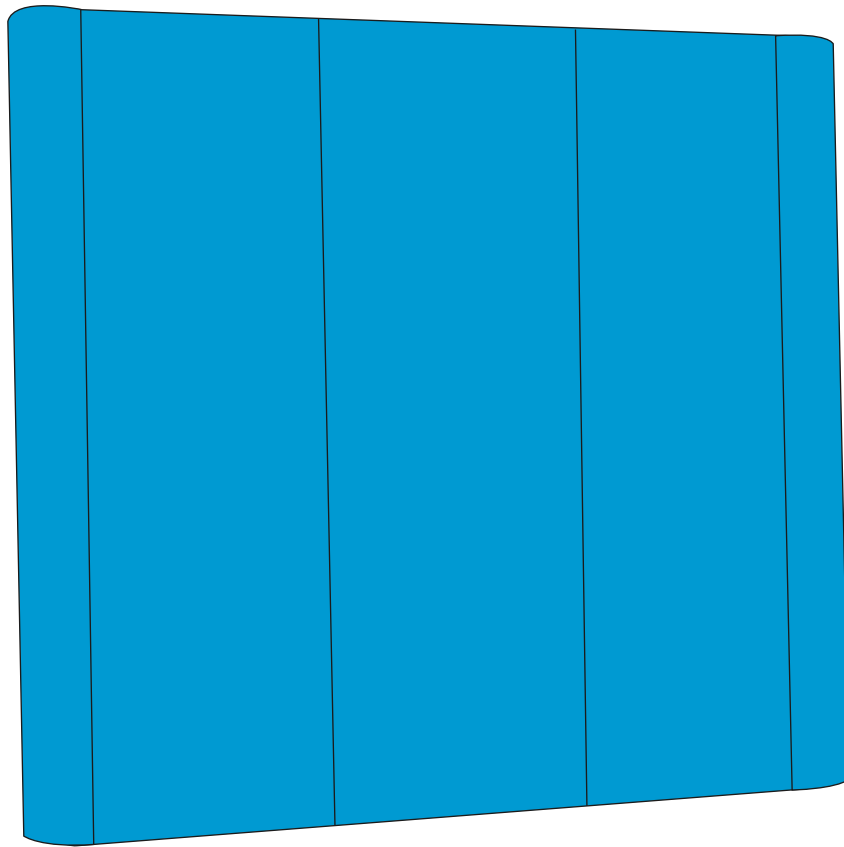
4

Attach the graphic panels to the magnetic bars using the plastic attachments at the top of each graphic to snap into position. Then align the graphic panels in the correct sequence magnetically on to the magnetic bars.



ASSEMBLY INSTRUCTIONS CONTINUED

- 5 Repeat point 4 until all the graphic panels are attached.



- 6 **Recommended Option:** Straight panel rigidiser to make the straight graphics perfectly straight. Add to top and bottom of panel and stick to the graphic using self adhesive tape supplied.

