

R BANNER (TWIN FEET)



Sizes Available

H 200cm/300cm x
W 80cm/85cm/100cm/120cm/150cm/200cm/240cm
[Check model for size availability](#)

Suitable For

Everyday / Everyday Tall / Economy / Entry / Round R Banners

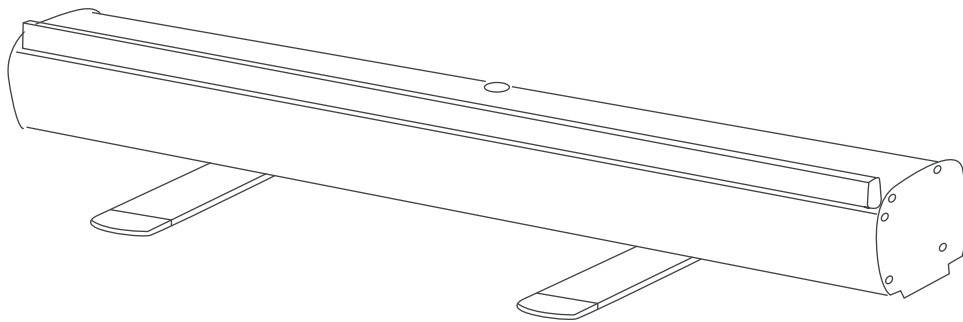
Recommended Media

280micron Grey backed polyester
Recommended maximum thickness 400/440gsm

ASSEMBLY INSTRUCTIONS

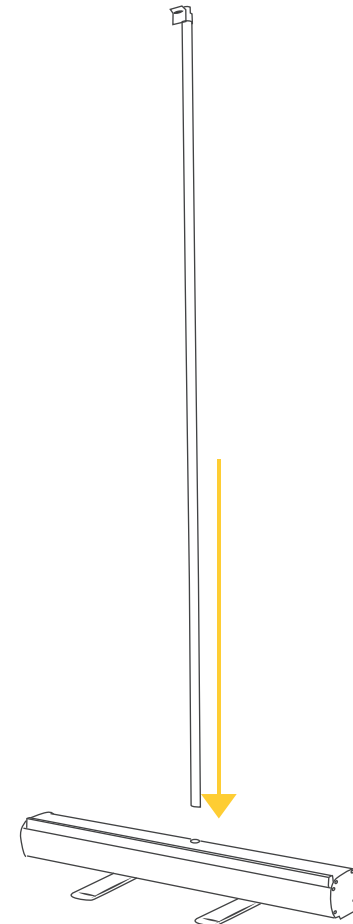
1

Place the banner stand base down.



2

Assemble the aluminium bungee pole and place the pole end without any mouldings into the central hole on the base. Ensure the pole is secure and sitting in its proper location. It should appear near vertical.

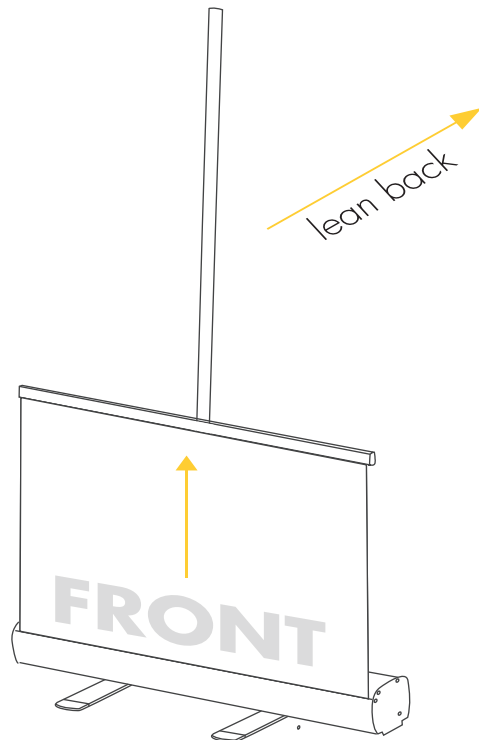


ASSEMBLY INSTRUCTIONS CONTINUED

3

Take a firm grip of the rail at the top of the graphic, lean the banner backwards until the rail and pole are at a workable height.

When the graphic is level with the top of the pole, partially rotate the rail and lift the rear of the rail to the top of the pole moulding.



4

Once the rail is securely attached to the top of the pole, position the banner in the location of your choice and it's ready for use.

