

CURVED FABRIC WALL

Tube Systems

Sizes Available [↗](#)

H 228 x W 248cm

H 228 x W 298cm

H 228 x W 398cm

H 228 x W 498cm

H 228 x W 598cm

Recommended Media [≡](#)

210gsm Display Polyester

230gsm Display Polyester

260gsm Display Polyester

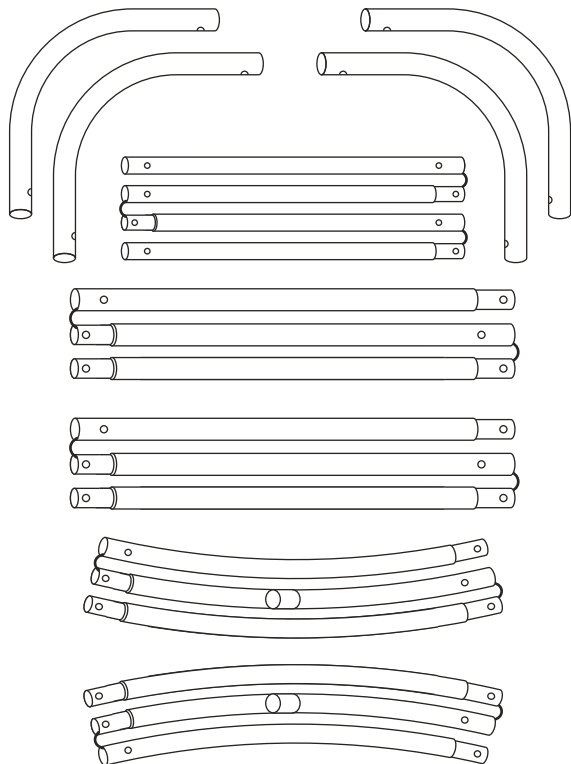


ASSEMBLY INSTRUCTIONS

Remove all tubes from the bag and their packaging.

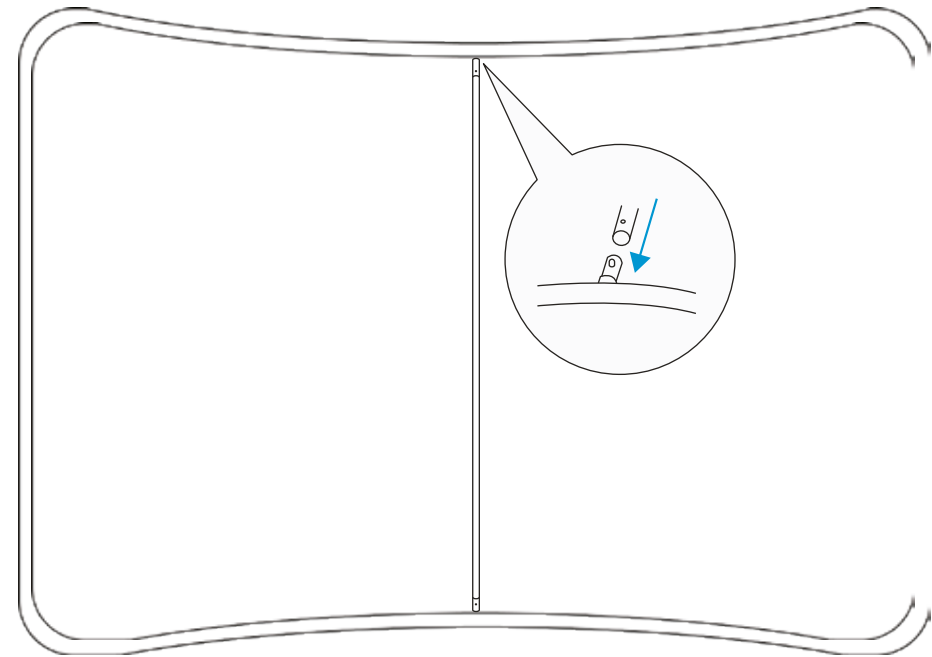
1

Lay out tubes in order of number.



2

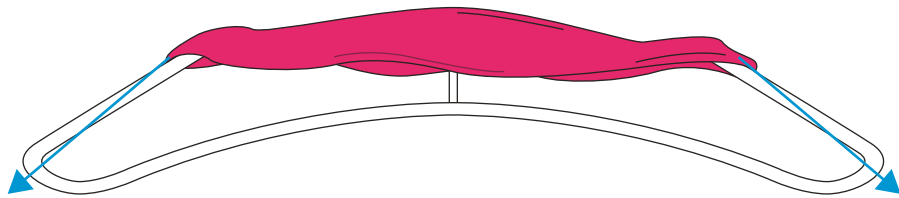
Connect the matching male/female numbered tubes by simply pushing them into one another ensuring the spring clip is secured by the finger button.



ASSEMBLY INSTRUCTIONS CONTINUED

3

Lay your frame on a clean floor or polyethylene sheet so you can apply your graphic.



Note: Please use provided gloves before handling graphic

4

Slide your graphic over the tubes like a sock ensuring that you secure it by fastening the heavy duty zip.

