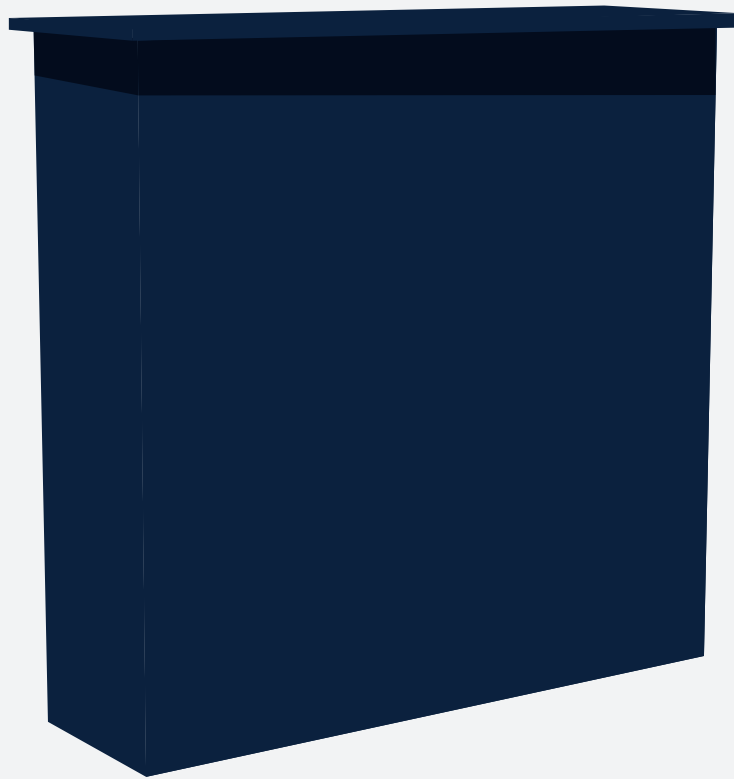


FABRIC POP UP COUNTER



Size Available

Dimensions - H 102 x W 106.5 x D 40cm

Printed Graphic - H 99.5 x W 168.5cm (including sides)

Recommended Media

210gsm Display Polyester

230gsm Display Polyester

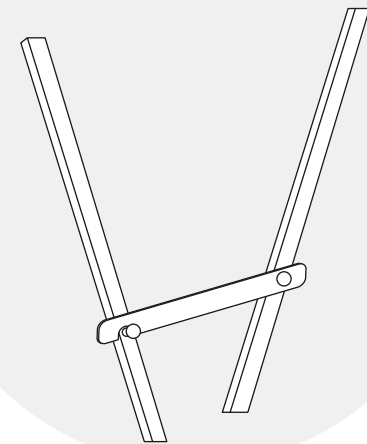
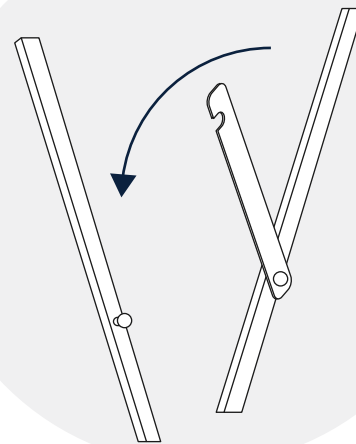
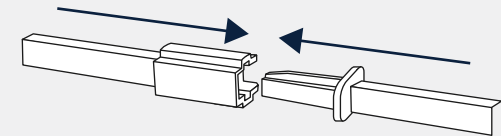
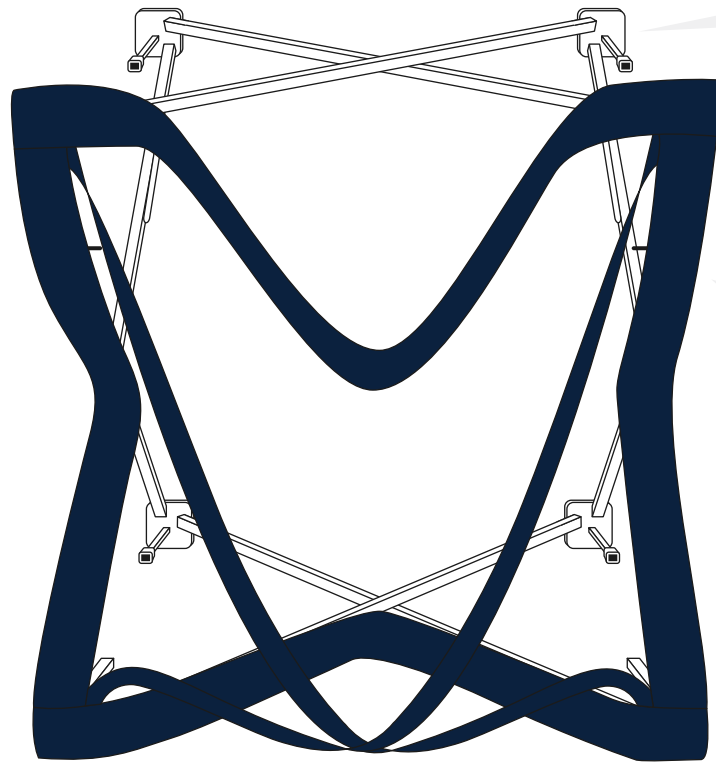
260gsm Display Polyester

ASSEMBLY INSTRUCTIONS

Remove product from carry case.

1

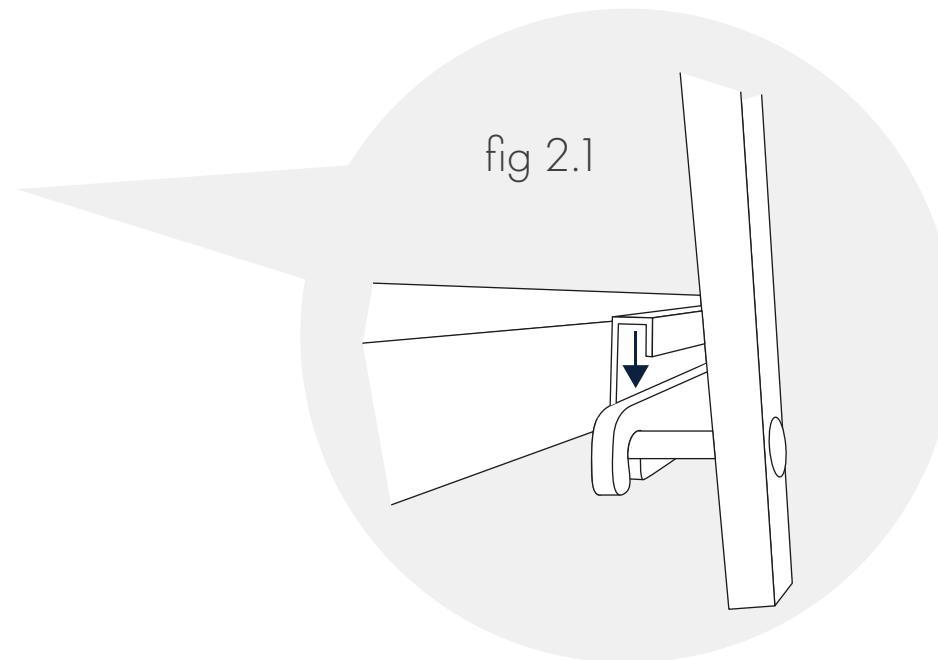
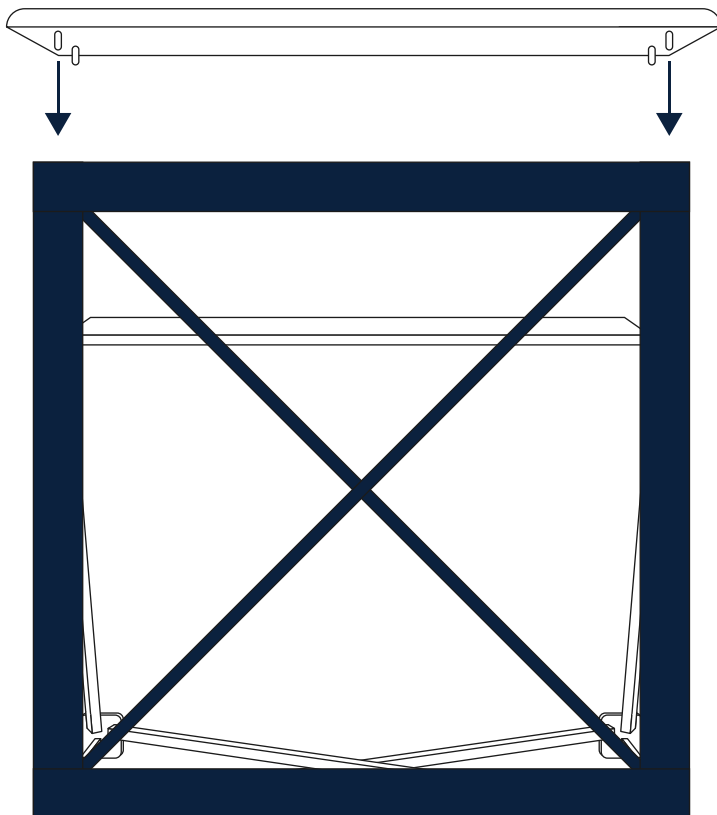
Expand the counter frame and secure with the 4 locking arms at each corner and rotate shelf supports to the locked position.



ASSEMBLY INSTRUCTIONS CONTINUED

2

Position and secure shelf onto shelf supports (fig 2.1) then position table top on the top 4 locations of the frame.



ASSEMBLY INSTRUCTIONS CONTINUED

3

Attach your textile graphic to the framework using the hook & loop fasteners which are placed around the perimeter of the frame and graphic. Ensure you keep the fabric as straight as possible as you afix to each corner.

