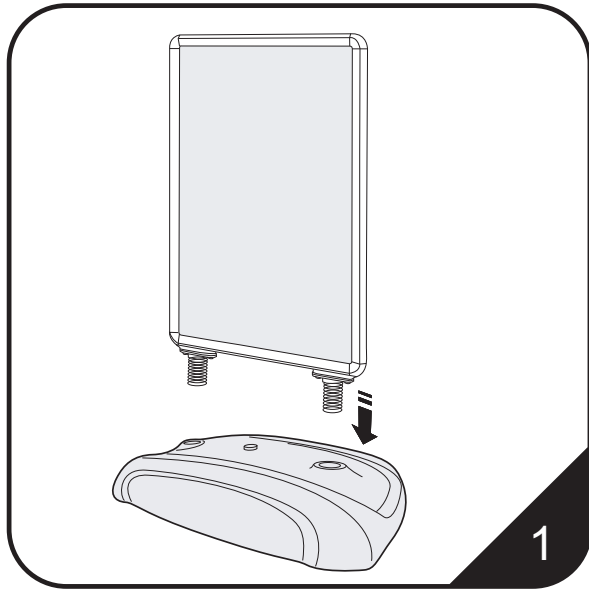
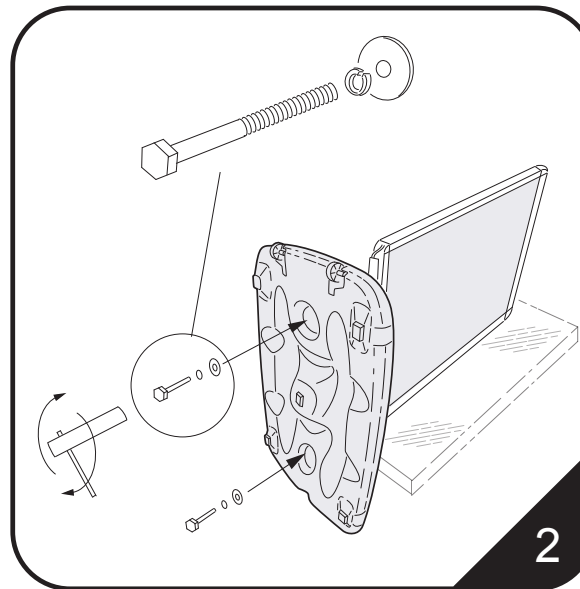


Sightmaster 3 - Assembly Instructions

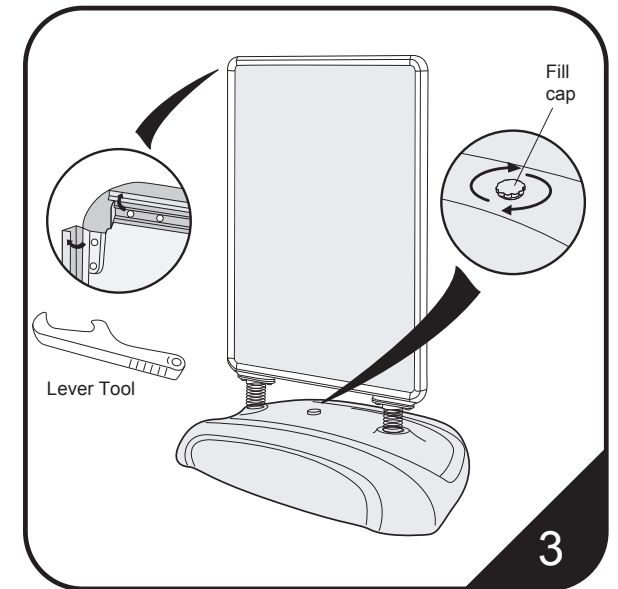
Note: to avoid any accidental loss of components, please do not dispose of packaging until the sign is fully assembled.



The cartons will contain a water-fill base and a poster frame. Insert the poster frame into the holes in the water fill base.



Resting the poster frame on the packaging, use the fixings shown to attach the water-fill base to the poster frame. Ensure the fixings are fully tightened for correct sign performance.



Use the lever tool to open the poster frame sides. Insert the poster behind the poster cover before closing the frame sides. Remove fill cap and use a hose to fill the base with water until overflowing. Alternatively sand can be poured in using a funnel.

Moving your Sightmaster



WARNING! - Sign is at risk of falling if base is not fully filled. ALWAYS ensure the base is fully filled with water, or sand. Liability lies with the user

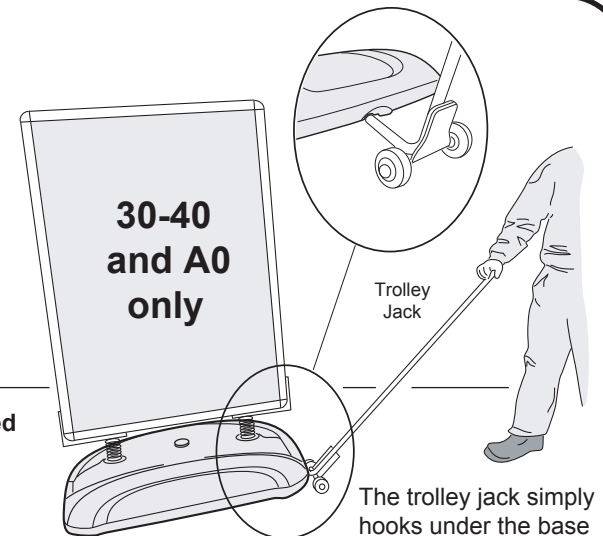
NOTE: - Take care not to move the sign over high steps or kerbs. Always position the sign on an even flat surface.

Tilt the sign onto the wheels to move.

For the A0 and 30-40 size Sightmaster 3 only, to make movement less strenuous for you and your product we recommend using our trolley jack (sold separately).



IMPORTANT! Move sign to sheltered location in extreme weather conditions



The trolley jack simply hooks under the base as shown.