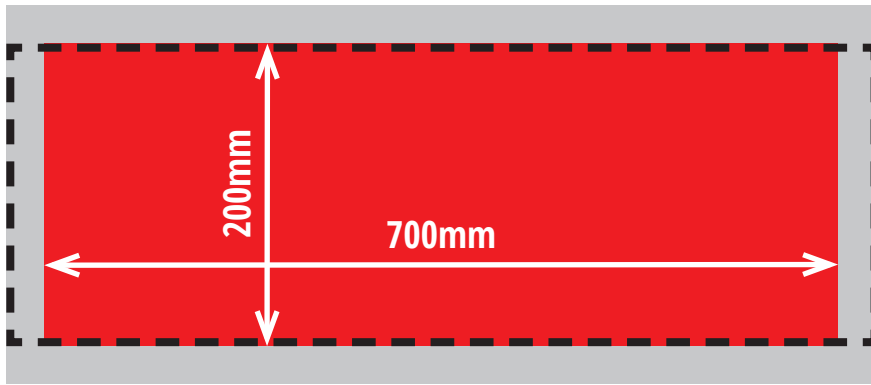


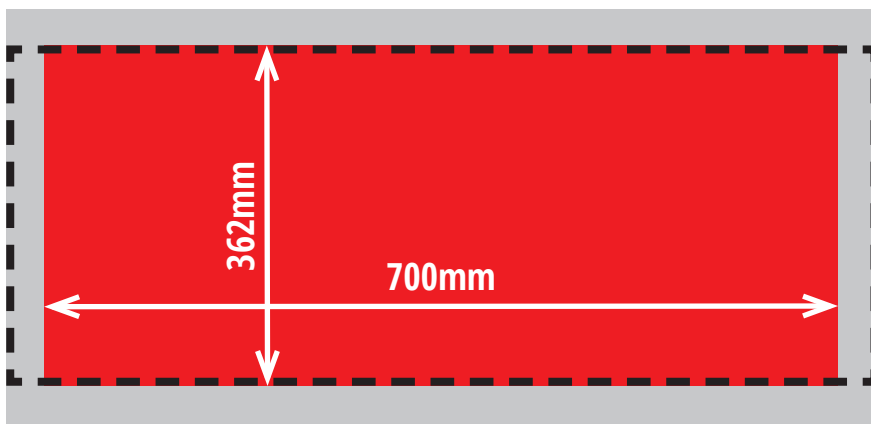
Centro Display Pod - Graphic Specification

Header Promotional Panels - Front = 1 panel, Rear = 1 panel



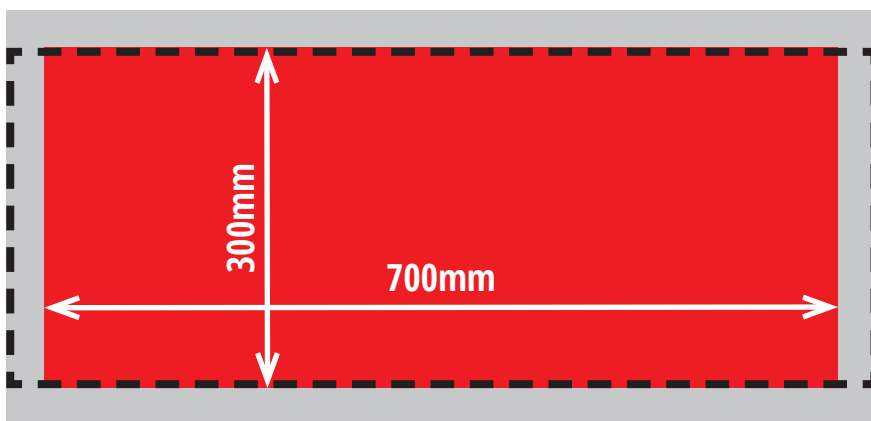
- Image print size (inc bleed area)
220mm(h) x 715mm(w)
(10mm bleed on all 4 sides)
- Finished trimmed print size
200mm(h) x 715mm(w)
(3mm panel thickness)
- Visible graphic area
200mm(h) x 700mm(w)

Infill Panels (optional) - Front = 4 panels, Rear = 4 panels - average gap between panels is 15mm



- Image print size (inc bleed area)
382mm(h) x 715mm(w)
(10mm bleed on all 4 sides)
- Finished trimmed print size
362mm(h) x 715mm(w)
(3mm panel thickness)
- Visible graphic area
362mm(h) x 700mm(w)

Lower Promotional Panels - Front = 1 panels, Rear = 1 panels



- Image print size (inc bleed area)
320mm(h) x 715mm(w)
(10mm bleed on all 4 sides)
- Finished trimmed print size
300mm(h) x 715mm(w)
(3mm panel thickness)
- Visible graphic area
300mm(h) x 700mm(w)

