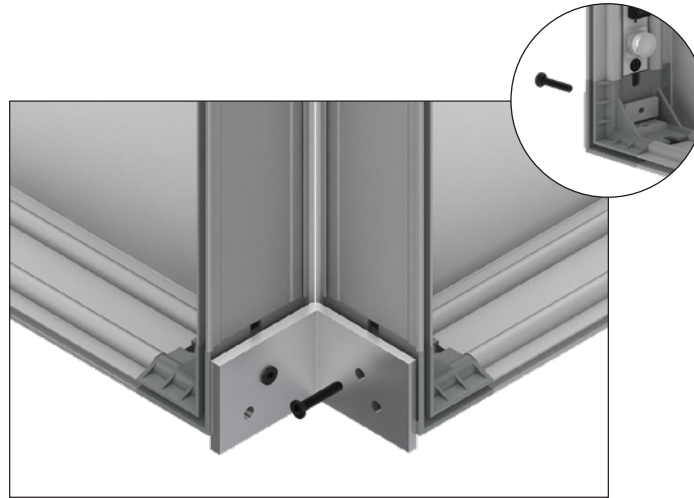


# Set Up Instructions

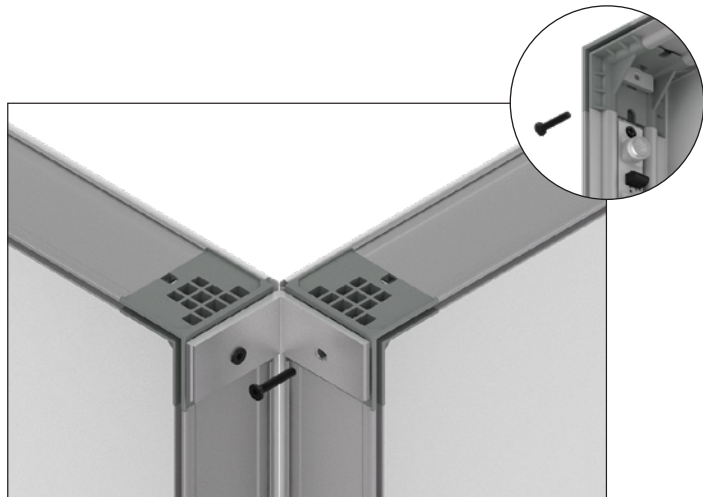
# DNA CONNECTION 90° - EDGE TO EDGE

**Step 1:** Install the connector on the bottom by using the 90° brackets. Place the rubber gasket between the bracket and the corner of the stand. Install the screw into the center hole of the bottom corner piece.

**Step 2:** Repeat Step 1 on opposite side of connector.



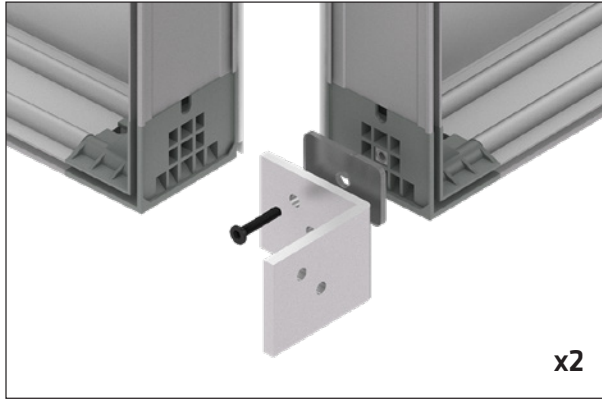
**Step 3:** Repeat Step 1 and 2 at top of display stand.



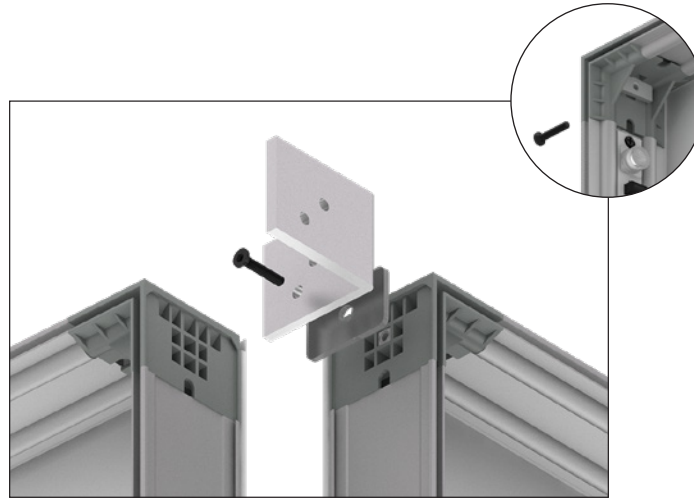
# Set Up Instructions

# DNA CONNECTION 90° - OVERLAPPED

**Step 1:** Install the connector on the bottom by using the 90° brackets. Place the rubber gasket between the bracket and the corner of the stand. Install the screw into the center hole of the bottom corner piece.



**Step 2:** Repeat Step 1 on opposite side of connector.



**Step 3:** Repeat Step 1 on opposite side of connectors.



**Step 4:** Complete install of connectors by pushing the DNA Panel into place and installing screws top and bottom.

