

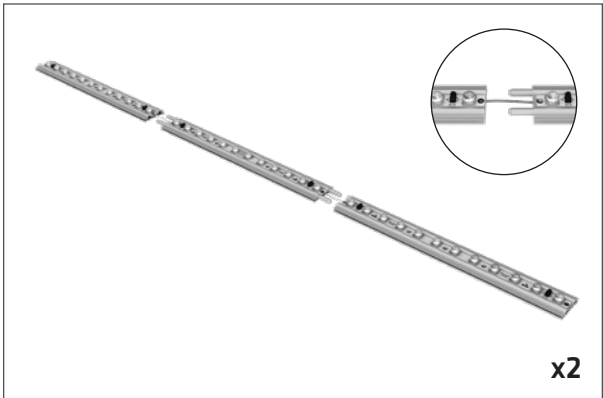
# Set Up Instructions

# DLW-3000L

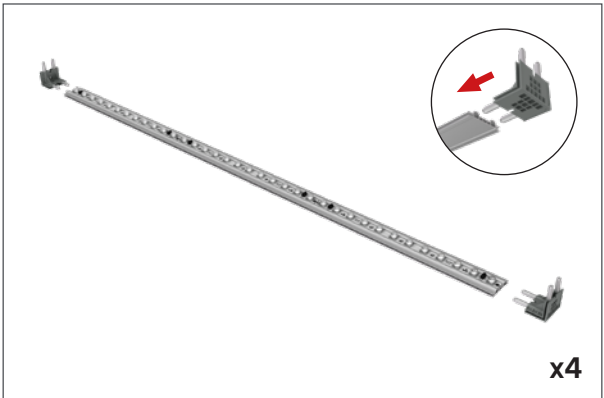
**Step 1:** Open hard case and remove all aluminum frames and pole from foam inserts.



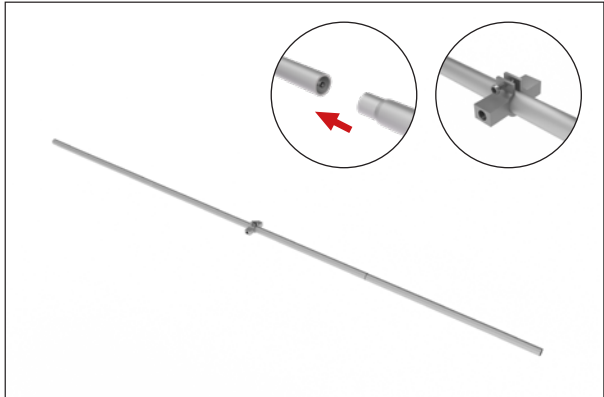
**Step 2:** Assemble the top and bottom of LED frames by pushing bungee corded sections together.



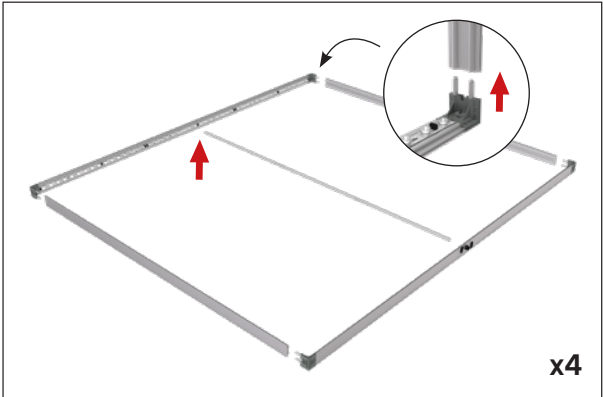
**Step 3:** Add 4 corners to the two LED frames.



**Step 4:** Build the center power pole by push sections together. Slide on horizontal support clamp before attaching to frame. **Important! Horizontal support clamp may be preinstalled. If not, center and tighten screw in Step 8.**



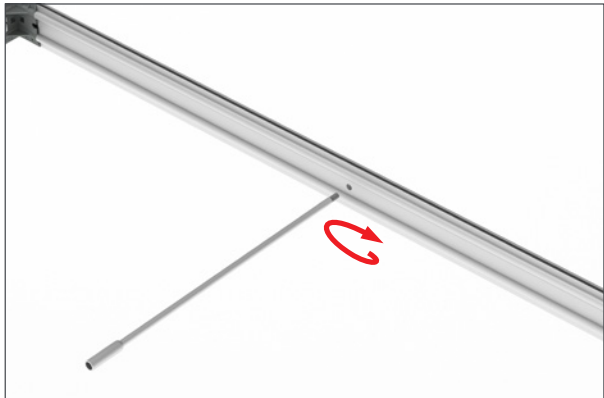
**Step 5:** Join the 2 vertical side frames to top and bottom horizontal frames while placing the center power pole into position.



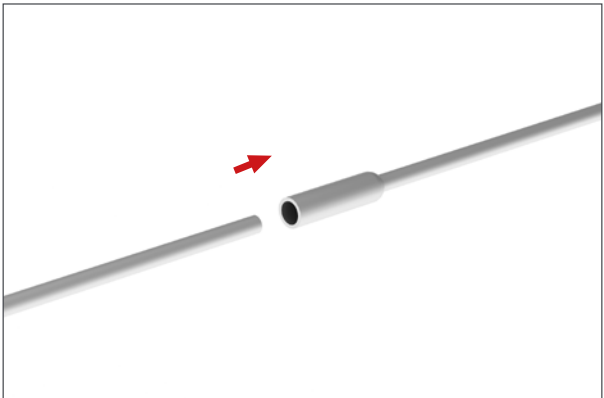
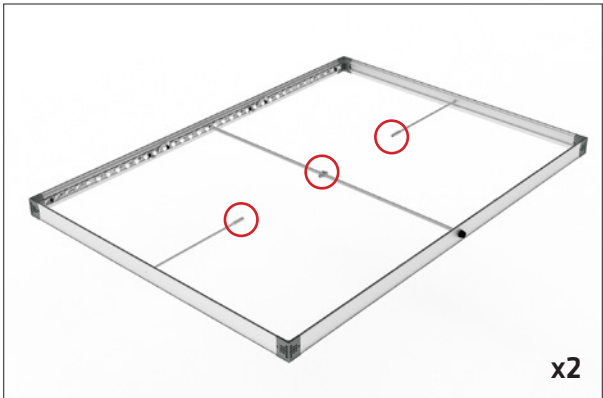
# Set Up Instructions

# DLW-3000L

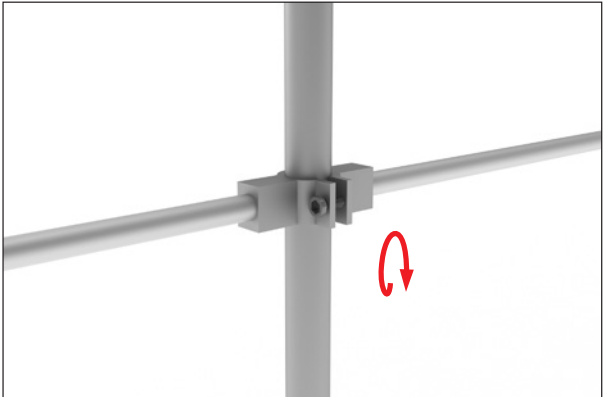
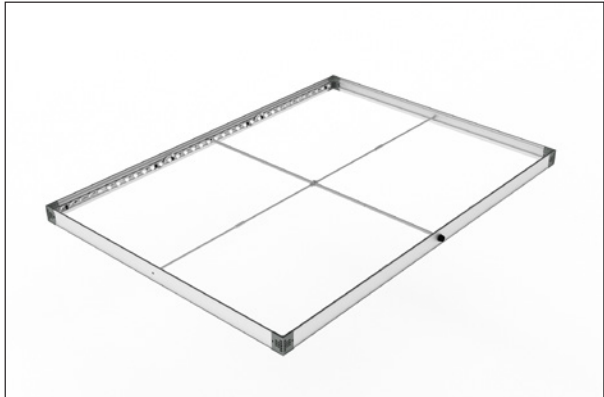
**Step 6:** Screw one horizontal cross support pole into each side of frame until it touches inside of frame and stops. (Some screw thread will still be showing.)



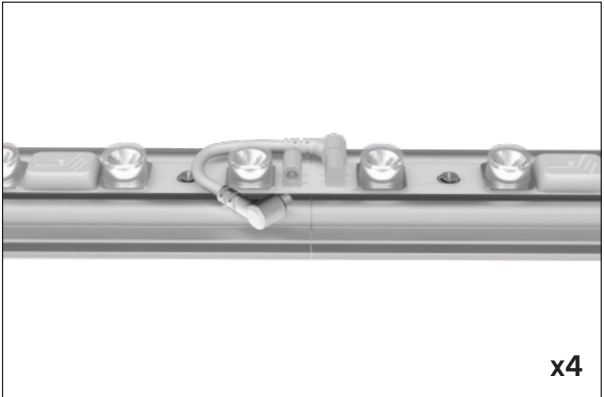
**Step 7:** Complete connections of horizontal cross support poles.



**Step 8:** Tighten center pole clamp to lock horizontal cross support poles into place. **Important!** If your center pole clamp was preinstalled, then skip this step.



**Step 9:** Begin making the electrical connections between sections on the LED frames. x2 on top and x2 on bottom.

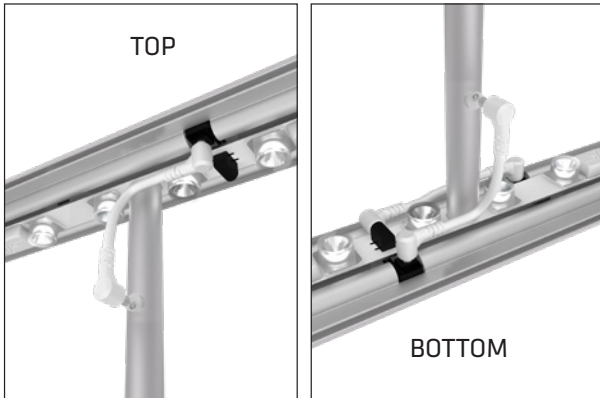


# Set Up Instructions

# DLW-3000L

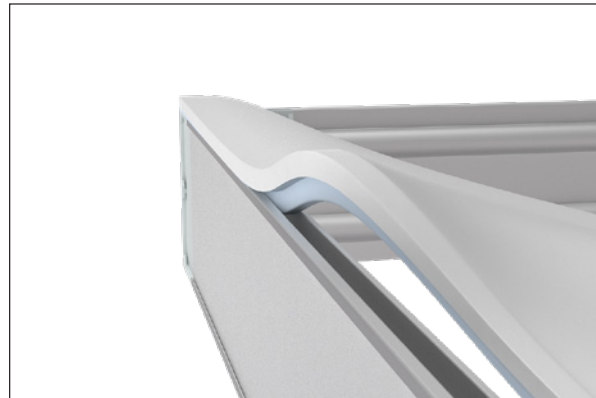
**Step 10:** Make electrical connections between the center pole and the top and bottom of frame.

**Place frame on top of ground cloth before moving forward and installing graphics.**

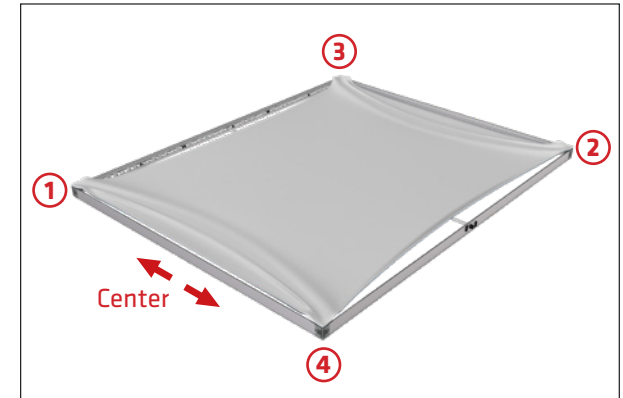


**Step 11:** To install a graphic start by inserting one eSEG™ Fabric Print into 4 corners of frame by pressing silicone into frame edge.

**The fabric stretches on a diagonal and is easier to install by following Step 12.**



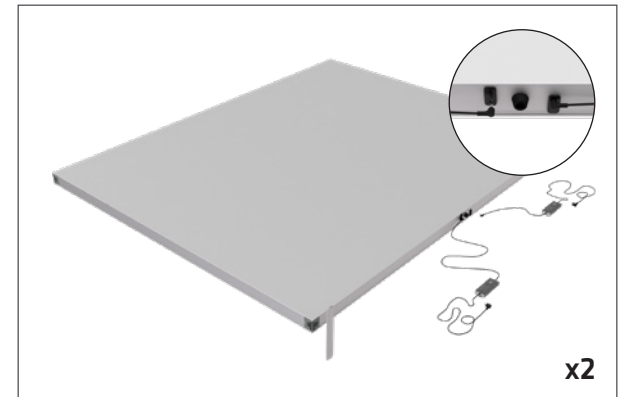
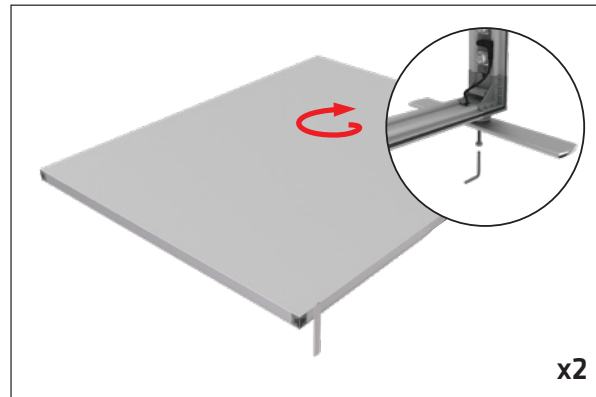
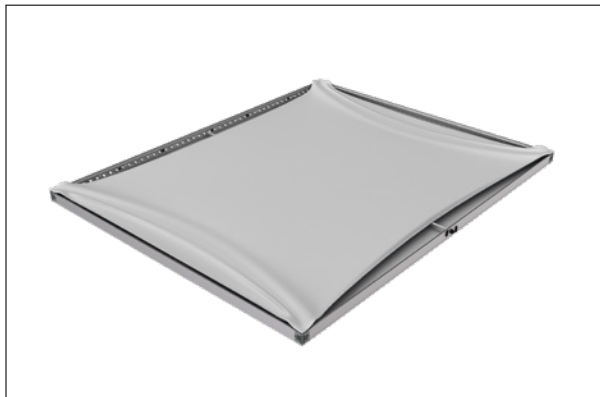
**Step 12:** Start in top corner (1) and then insert graphic into opposite bottom corner (2). Repeat on other side (3) and then (4). Then insert the graphic into center of each side and work back toward the corners.



**Step 13:** Repeat Step 9 for the reverse side of frame.

**Step 14:** Screw feet into 2 bottom corners using hex tool provided.

**Step 15:** Plug power cords from power supply into the bottom of frame. Stand display into the upright position.

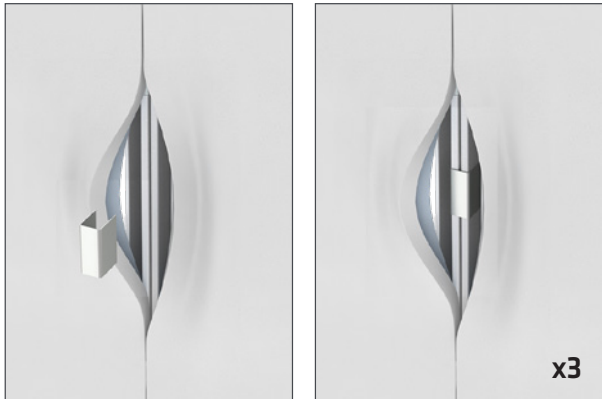


# Set Up Instructions

**OPTIONAL:** Unroll frame covers and slide them into the groove of the frame from top to bottom. For use with one stand or on the outer two edges of multiple stands when connected together.



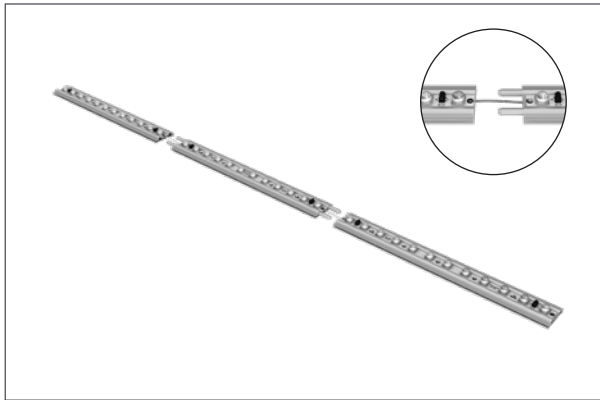
**OPTIONAL:** Connect frames together using u-clamp to create a continuous wall.



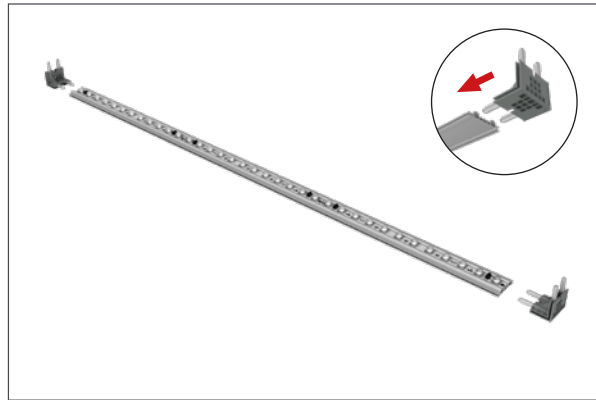
# Set Up Instructions

# DNA ARCH: DLW-950L SIDE WALLS

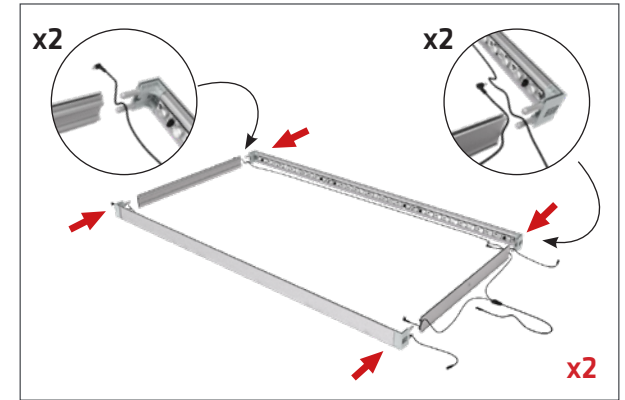
**Step 1:** Assemble the sides of LED frames by pushing bungee corded sections together.



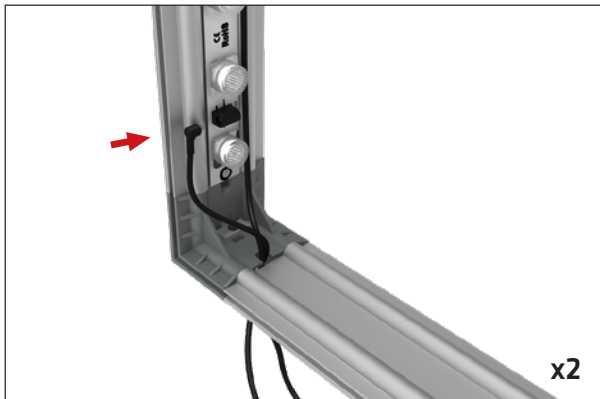
**Step 2:** Add 4 corners to the two LED frames.



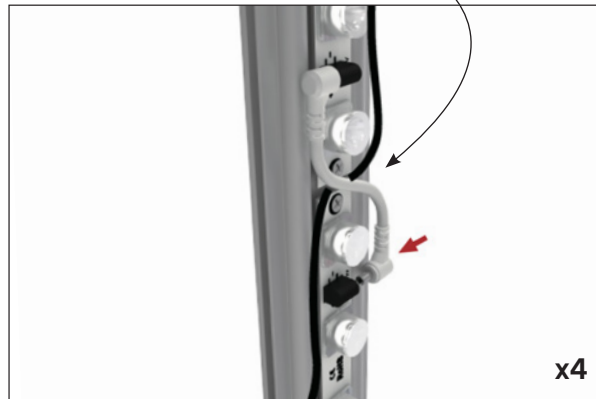
**Step 3:** Join the 2 vertical side frames to top and bottom horizontal frames. Run power cords into the top and bottom 2 corners using the notched hole.



**Step 4:** Connect the power cord onto both vertical side frames.

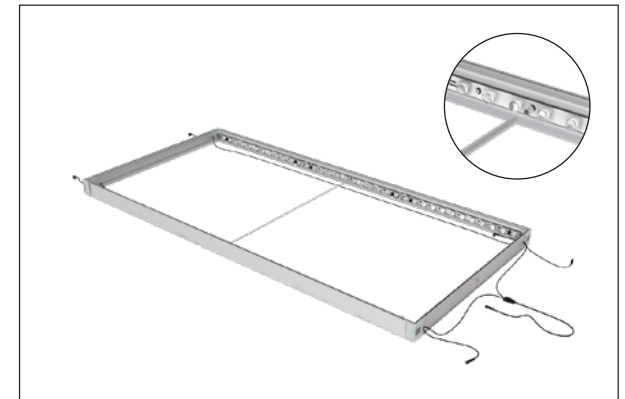


**Step 5:** Complete the electrical connections between sections on vertical side frames. **Important! Cross the powercord underneath the connection wires to prevent shadows while lit.**



**Step 6:** Insert center support pole into center of vertical side frames.

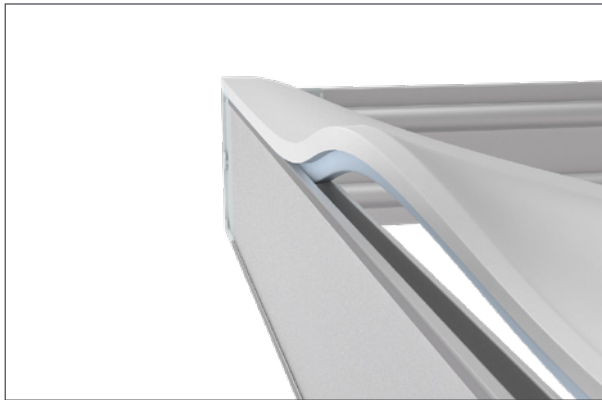
**Place frame on top of ground cloth before moving forward and installing graphics.**



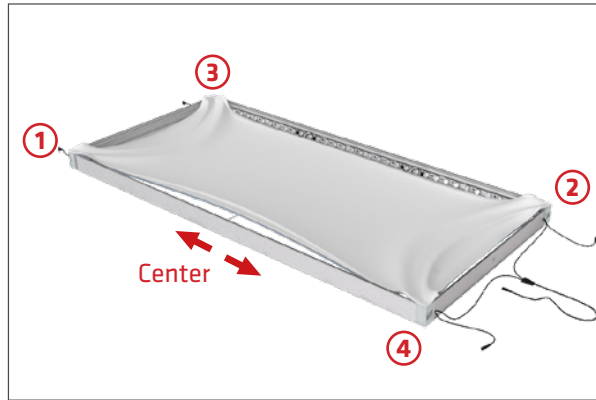
# Set Up Instructions

**Step 7:** To install a graphic start by inserting one eSEG™ Fabric Print into 4 corners of frame by pressing silicone into frame edge.

**The fabric stretches on a diagonal and is easier to install by following Step 8.**



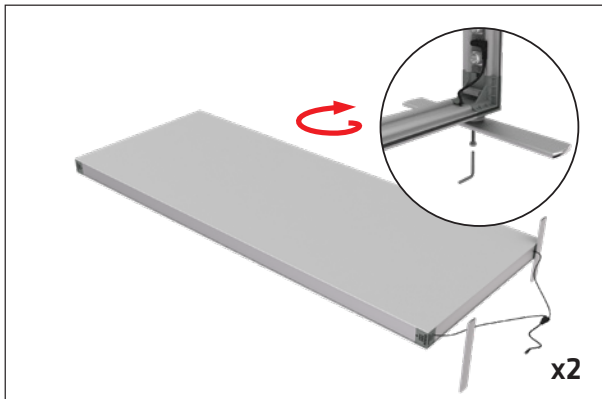
**Step 8:** Start in top corner (1) and then insert graphic into opposite bottom corner (2). Repeat on other side (3) and then (4). Then insert the graphic into center of each side and work back toward the corners.



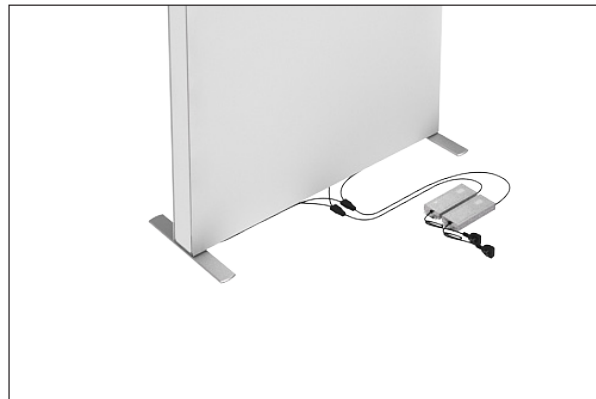
**Step 9:** Repeat Step 8 for the reverse side of frame.



**Step 10:** Screw feet into 2 bottom corners using hex tool provided.



**Step 11:** Plug power cords into power supplies and stand into the upright position.



**x1**  
Double Power Cord

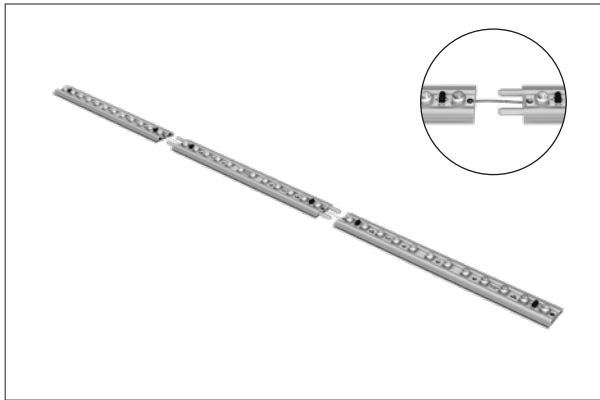


**x1**  
Single Power Cord

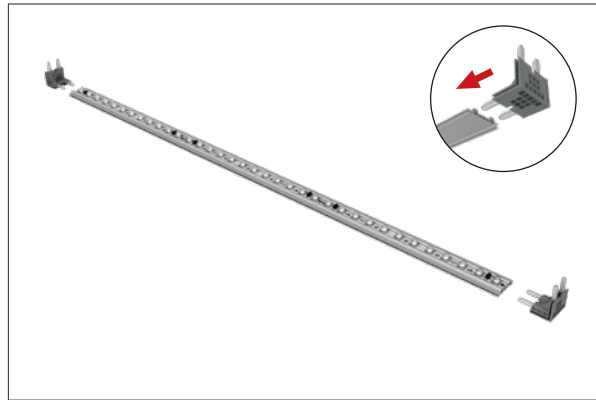
# Set Up Instructions

# DNA ARCH: DLW-950L ROOF

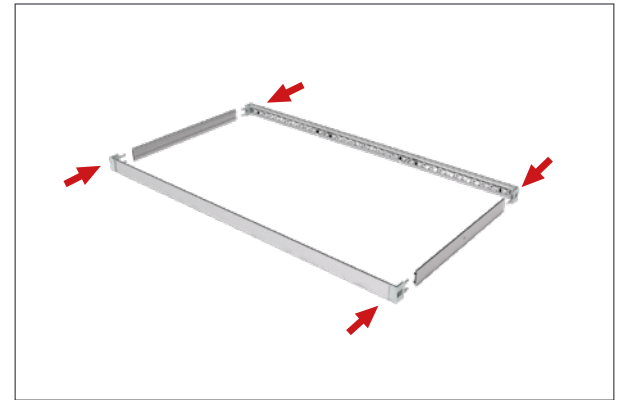
**Step 1:** Assemble the sides of LED frames by pushing bungee corded sections together.



**Step 2:** Add 4 corners to the two LED frames.



**Step 3:** Join the 2 vertical side frames to top and bottom horizontal frames.

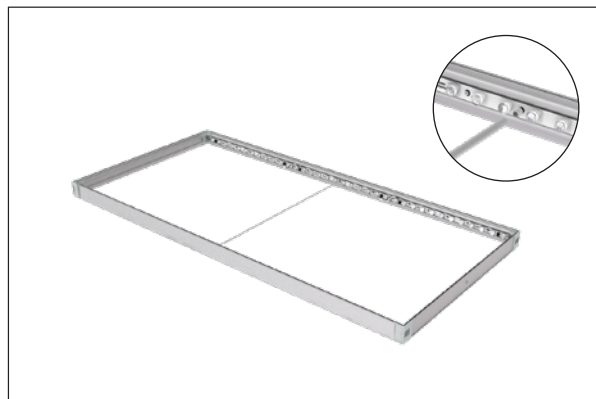


**Step 4:** Complete the electrical connections between sections on vertical side frames.



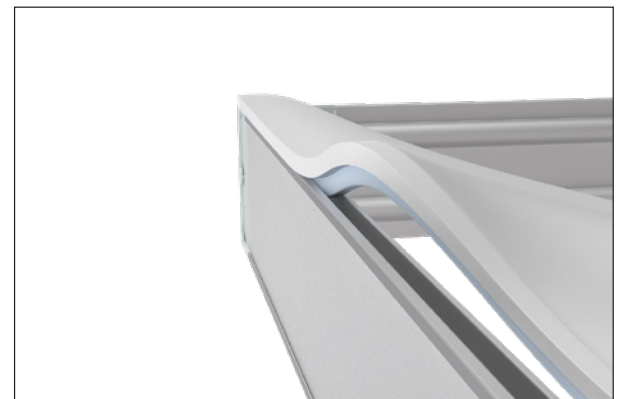
**Step 5:** Insert center support pole into center of vertical side frames.

**Place frame on top of ground cloth before moving forward and installing graphics.**



**Step 6:** To install a graphic start by inserting one eSEG™ Fabric Print into 4 corners of frame by pressing silicone into frame edge.

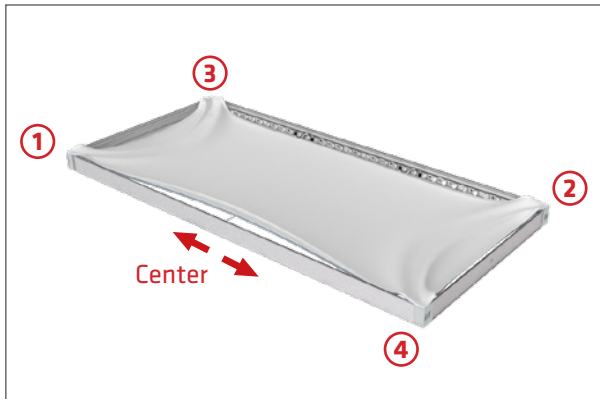
**The fabric stretches on a diagonal and is easier to install by following Step 7.**



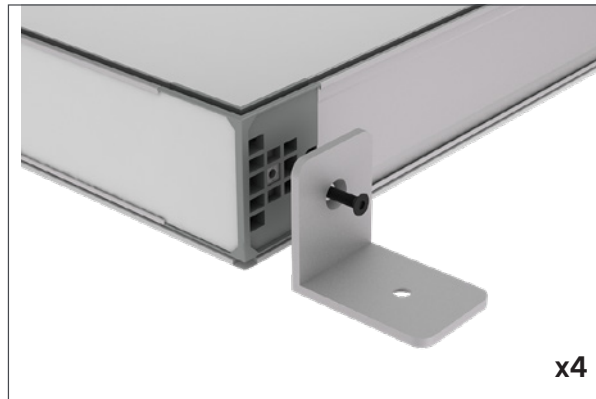
# Set Up Instructions

# DNA ARCH: DLW-950L ROOF

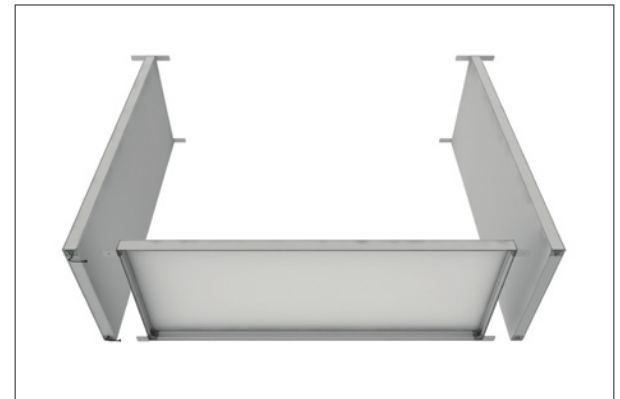
**Step 7:** Start in top corner (1) and then insert graphic into opposite bottom corner (2). Repeat on other side (3) and then (4). Then insert the graphic into center of each side and work back toward the corners.



**Step 8:** Screw L Bracket into 4 corners of frame with graphic side up.



**Step 9:** Lay side walls on their side evenly distributed to attach roof panel.



**Step 10:** Line up corners and attach roof to the side walls in 4 corners.



**Step 11:** Connect roof to sidewalls in 2 corners with screws and hex tool.



**Step 12:** Connect wires from sidewalls to roof in the 2 corners to complete connection.





# Set Up Instructions

# DNA ARCH: DLW-950L ROOF

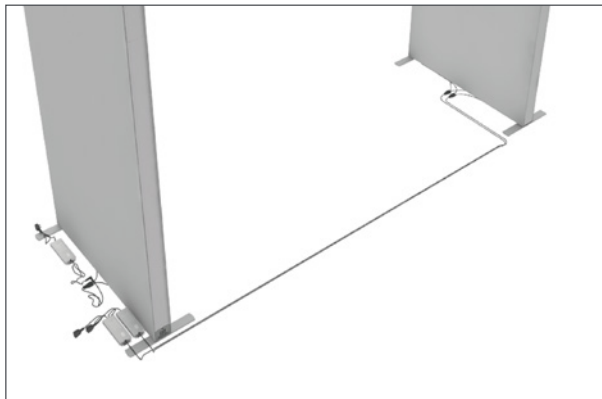
**OPTIONAL ROOF GRAPHIC:** Align roof graphic to 4 corners and run connection wires through hole in graphic

**Step 2:** Connect wires in 4 corners.

**Step 3:** Install graphic by starting in the 4 corners and working your way to the center of frame on all sides.



**POWER:** Run power to one side. Cords will need to be taped down, placed under a runner or carpet.



**Without Roof Graphic**



**With Roof Graphic**