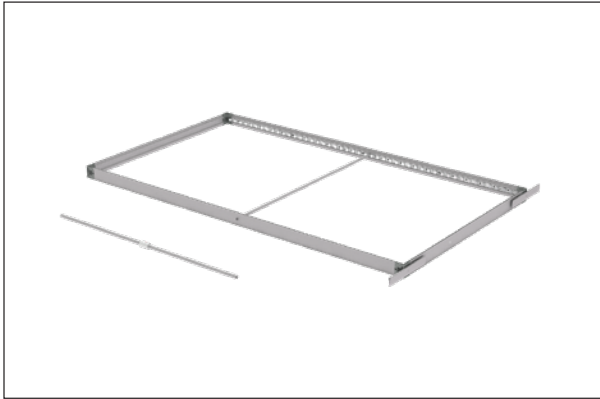


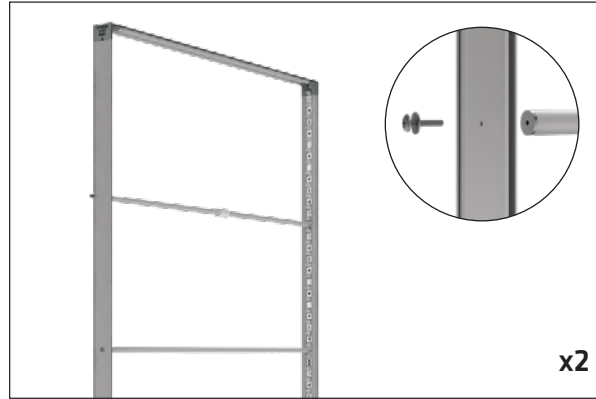
Set Up Instructions

DNA MONITOR MOUNT

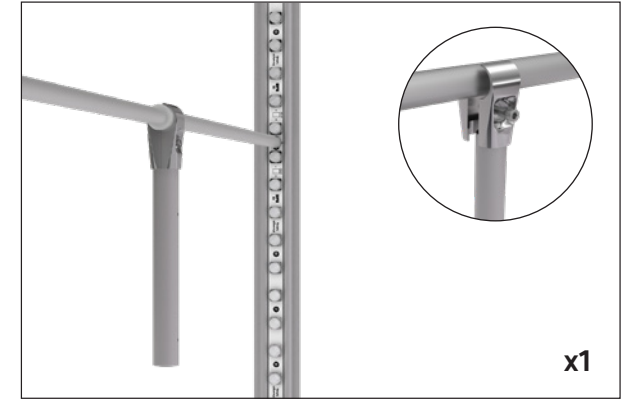
Step 1: Preassemble the frame following the frame set up instructions included with the display.



Step 2: Remove black rubber plugs from the frame to reveal holes. Install cross bar into frame with screws and hex tool.



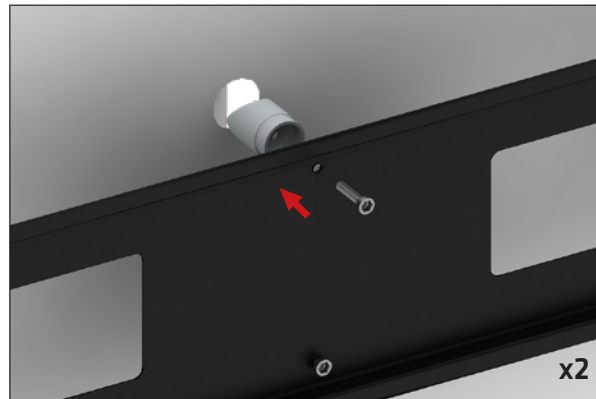
Step 3: Attach the top section of the hanging monitor pole to the center of the cross bar using the hex tool. Tighten securely.



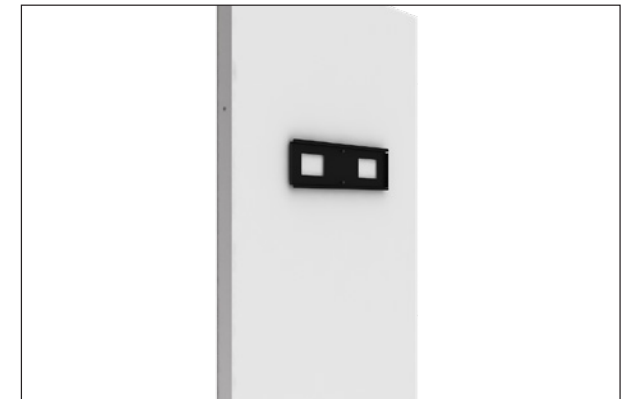
Step 4: Intall front graphic. Refer to your display set-up instructions for this step. Holes in graphic should align close to hanging monitor pole.



Step 5: install the VESA Plate. Place screws through VESA plate, spacer, and graphic before screwing into hanging monitor pole. Tighten securely.



Step 6: Align monitor with bracket to set into place.



Set Up Instructions

DNA MONITOR MOUNT

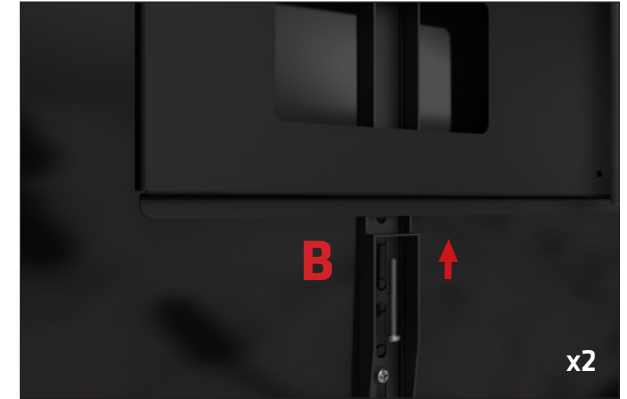
Step 7: Attach brackets to back of monitor with screws. Rubber spacers can be placed between the bracket and the monitor if your the back of the monitor is not flat. Choose the spacer that best fits your need. Position the VESA bracket with the **hook facing down**.



Step 8: (A) Hang the monitor onto base plate to test the positioning. Once position is correct remove monitor and add graphic to frame.



Step 9: (B) Hang the monitor again and put in final screws to hold monitor bracket in place.



Step 10: Align monitor with bracket to set into place.



Step 11: Run power cord for monitor inside front graphic and install back graphic. Run power cord out of the bottom hole of back graphic.

