

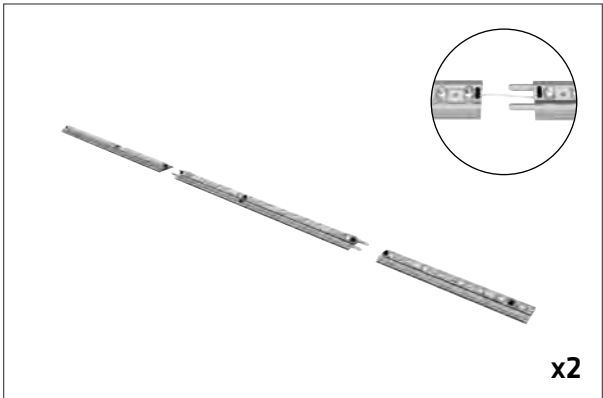
Set Up Instructions

DLW-2480L

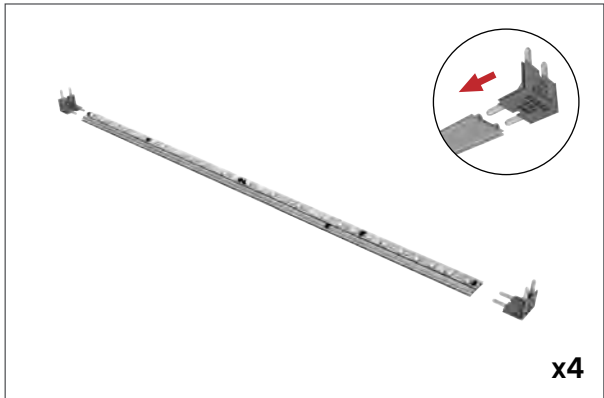
Step 1: Open hard case and remove all aluminum frames and pole from foam inserts.



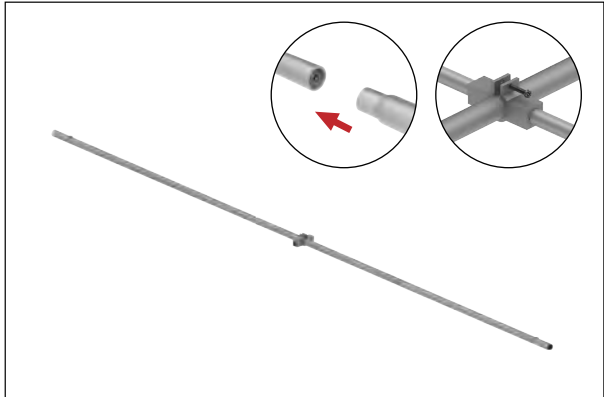
Step 2: Assemble the top and bottom of LED frames by pushing bungee corded sections together.



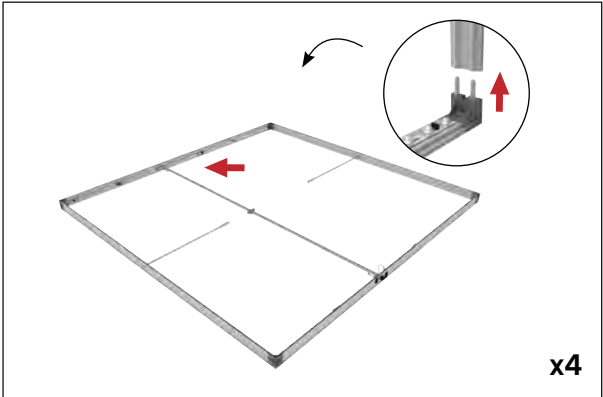
Step 3: Add 4 corners to the two LED frames.



Step 4: Build the center power pole by push sections together. Slide on horizontal support clamp before attaching to frame. **Important! Horizontal support clamp may be preinstalled. If not, center and tighten screw in Step 8.**



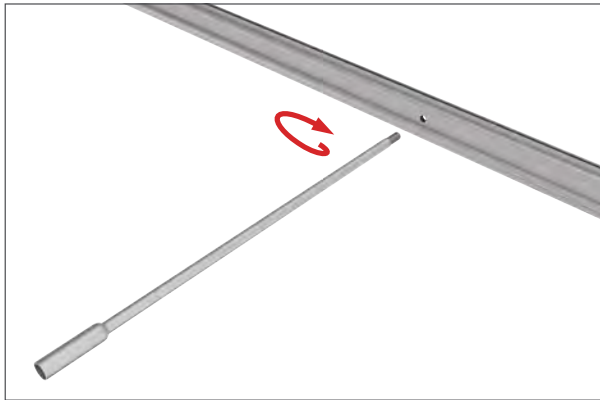
Step 5: Join the 2 vertical side frames to top and bottom horizontal frames while placing the center power pole into position.



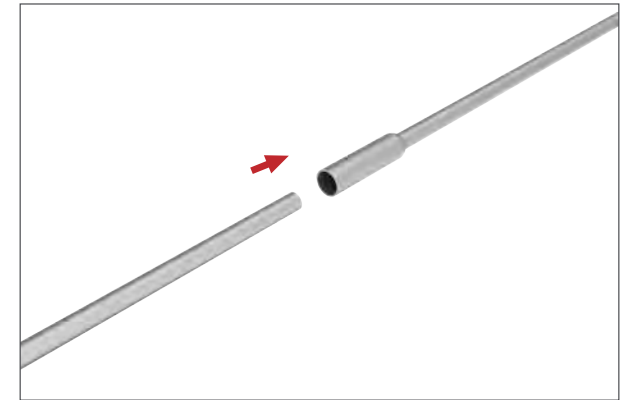
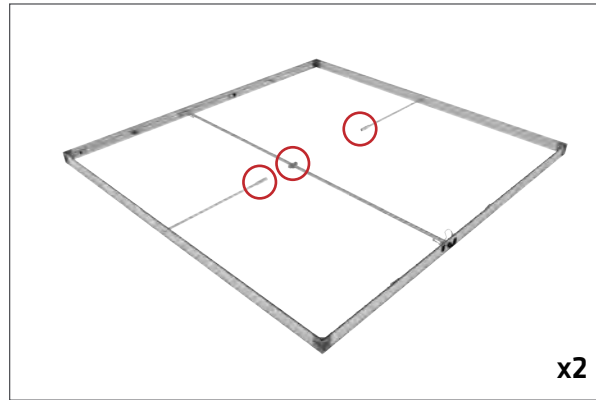
Set Up Instructions

DLW-2480L

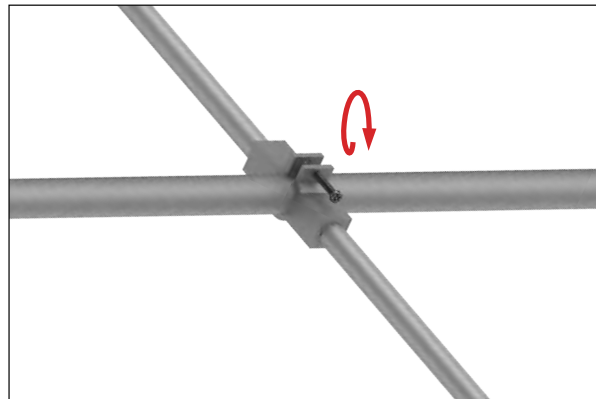
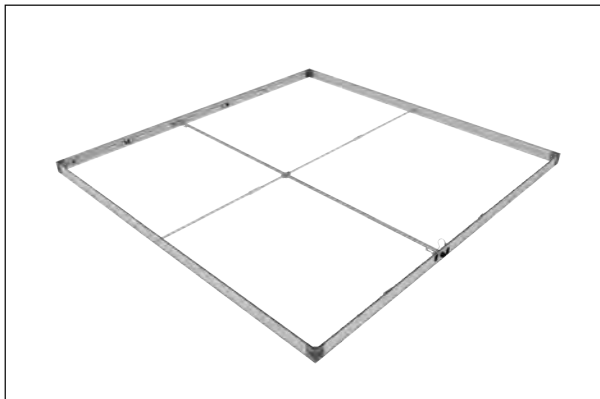
Step 6: Screw one horizontal cross support pole into each side of frame.



Step 7: Complete connections of horizontal cross support poles.



Step 8: Tighten center pole clamp to lock horizontal cross support poles into place. **Important!** If your center pole clamp was preinstalled, then skip this step.



Step 9: Begin making the electrical connections between sections on the LED frames. x1 on top and x1 on bottom.

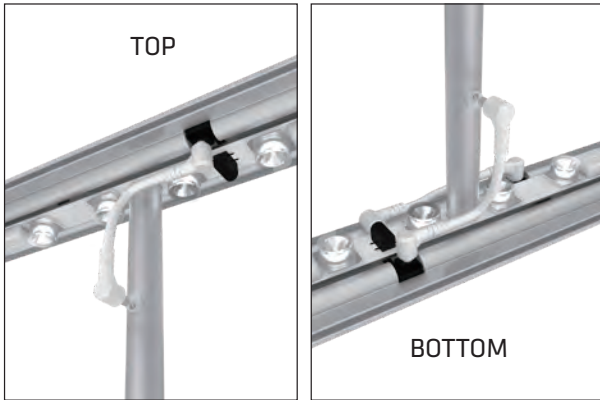


Set Up Instructions

DLW-2480L

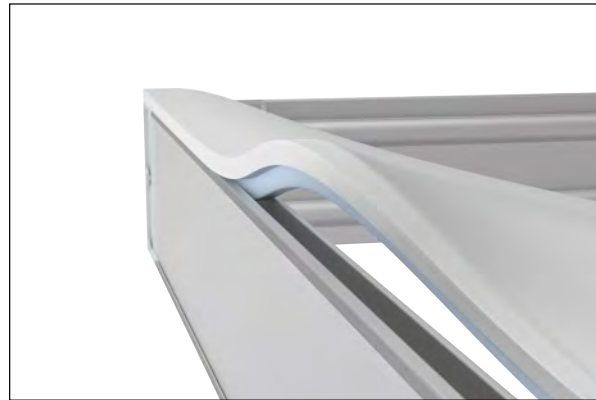
Step 10: Make electrical connections between the center pole and the top and bottom of frame.

Place frame on top of ground cloth before moving forward and installing graphics.

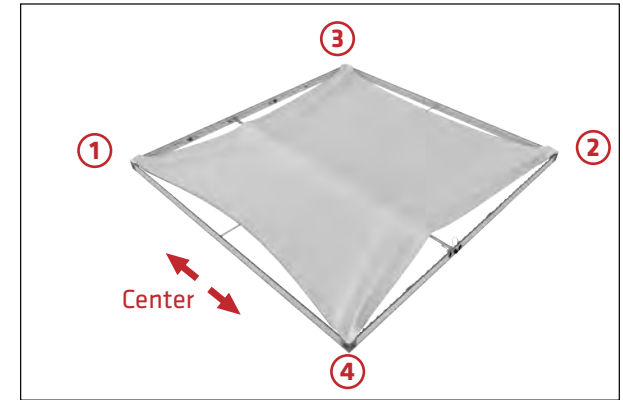


Step 11: To install a graphic start by inserting one eSEG™ Fabric Print into 4 corners of frame by pressing silicone into frame edge.

The fabric stretches on a diagonal and is easier to install by following Step 9.



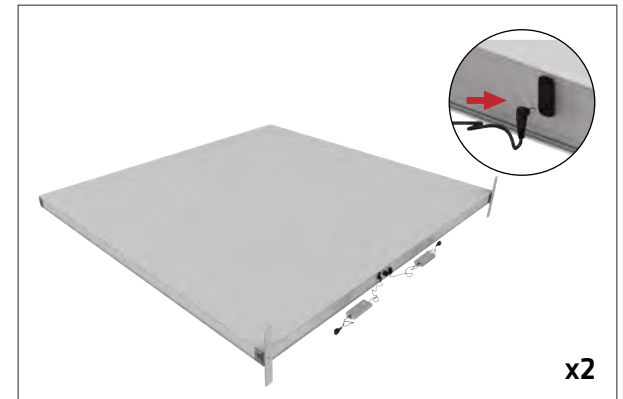
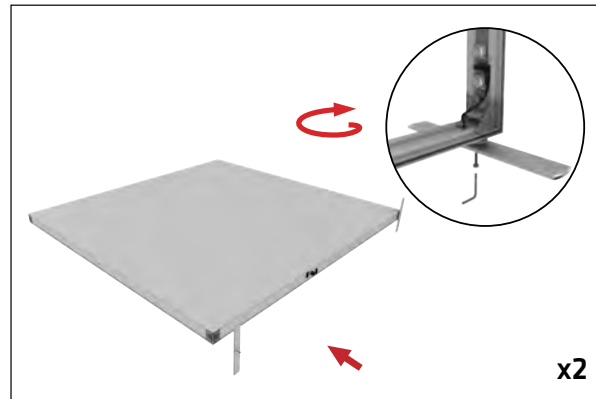
Step 12: Start in top corner (1) and then insert graphic into opposite bottom corner (2). Repeat on other side (3) and then (4). Then insert the graphic into center of each side and work back toward the corners.



Step 13: Repeat Step 9 for the reverse side of frame.

Step 14: Screw feet into 2 bottom corners using hex tool provided.

Step 15: Plug power cords from power supply into the bottom of frame. Stand display into the upright position.

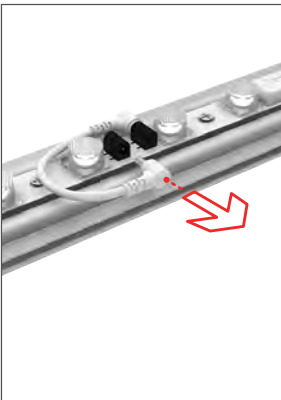
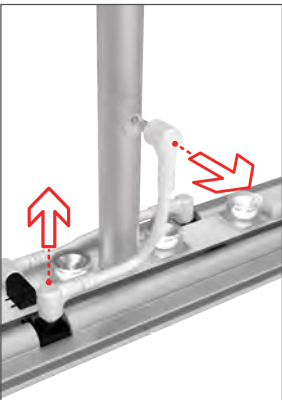


Set Up Instructions

DLW-2480L

OPTIONAL: Unroll frame covers and slide them into the groove of the frame from top to bottom. For use with one stand or on the outer two edges of multiple stands when connected together.

Note: Before disassemble the frame, the connecting wires must be unplugged by vertically first.



OPTIONAL: Connect frames together using u-clamp to create a continuous wall.

